

M1-5.0 5K Carriage 10ft. 2in. Ceiling

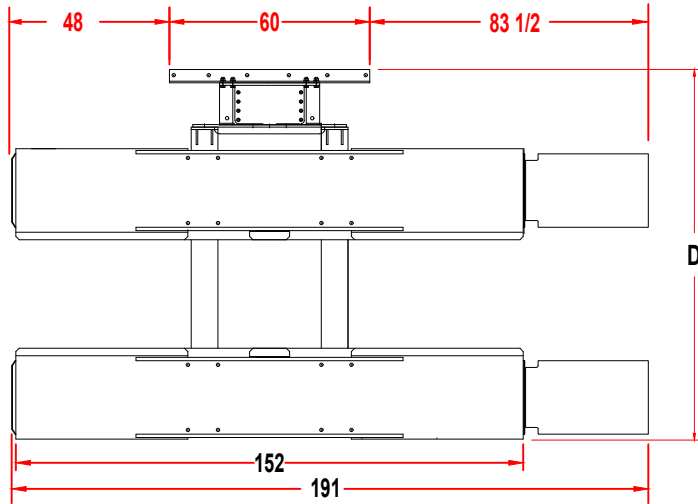
MAX CAPACITY.....5000 lbs.

STANDARD LATCH RELEASE

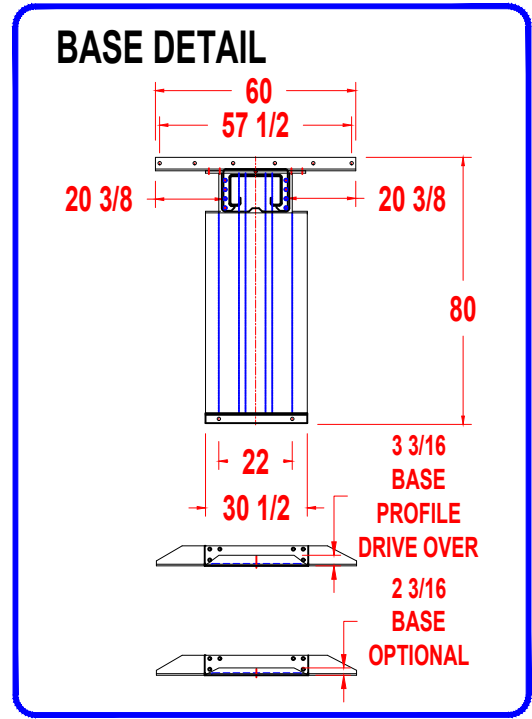
208-230 V SINGLE PHASE POWER UNIT

CONCRETE: 3000 PSI, 4" THICK MIN.

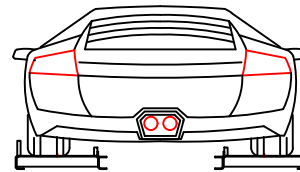
REINFORCED W/ STEEL BAR



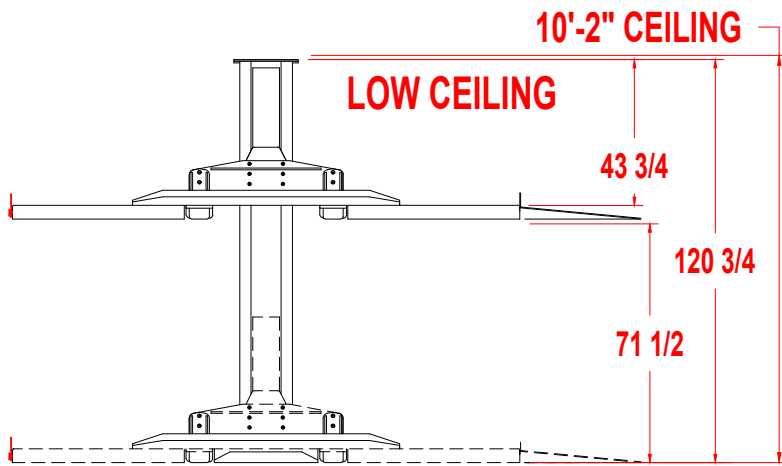
TOP VIEW



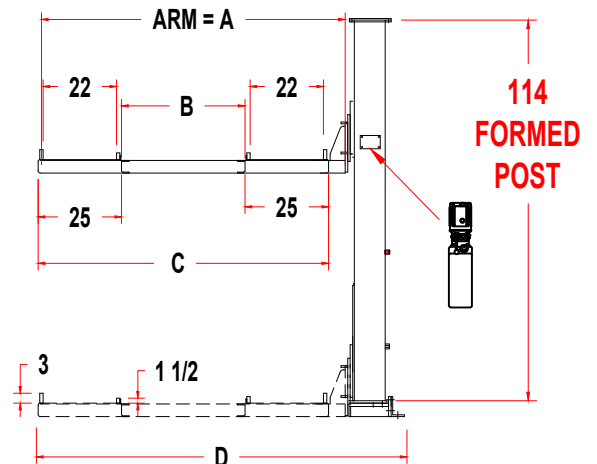
Standard: 86" Arms = 32" Solid Center Deck Optional
 Optional: 91" Arms 37" Solid Center Deck Optional



A	86"	91"
B	32"	37"
C	79"	82"
D	107"	112"



FRONT VIEW



SIDE VIEW

PLEASE CHECK, SIGN & RETURN

FIRM _____

BY _____

DATE _____

AMERICAN

Custom Lifts

1-888-711-5438

www.aclifts.com

M1-5.0 5K Carriage 10ft. 3in. Ceiling

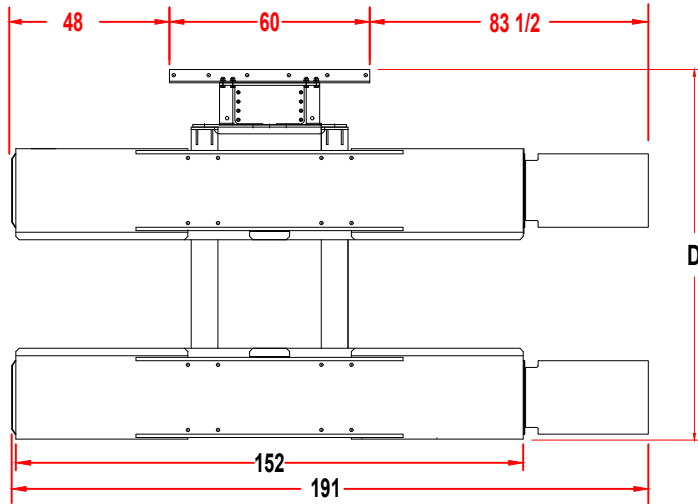
MAX CAPACITY.....5000 lbs.

STANDARD LATCH RELEASE

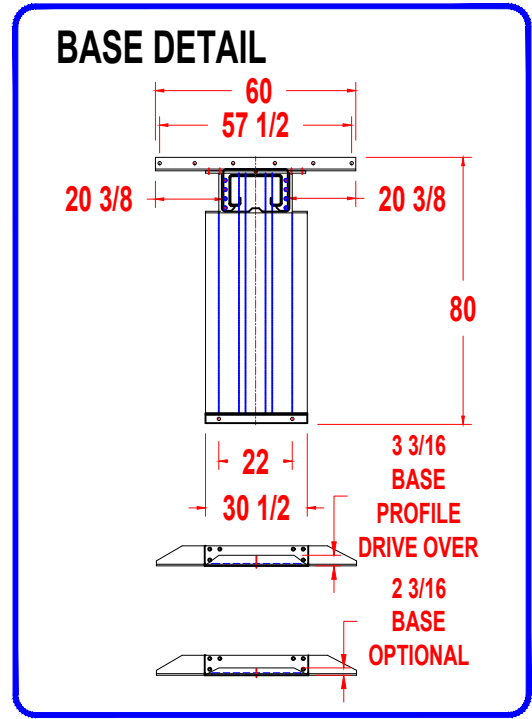
208-230 V SINGLE PHASE POWER UNIT

CONCRETE: 3000 PSI, 4" THICK MIN.

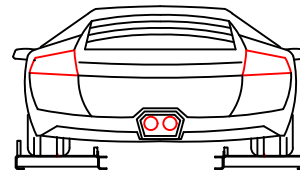
REINFORCED W/ STEEL BAR



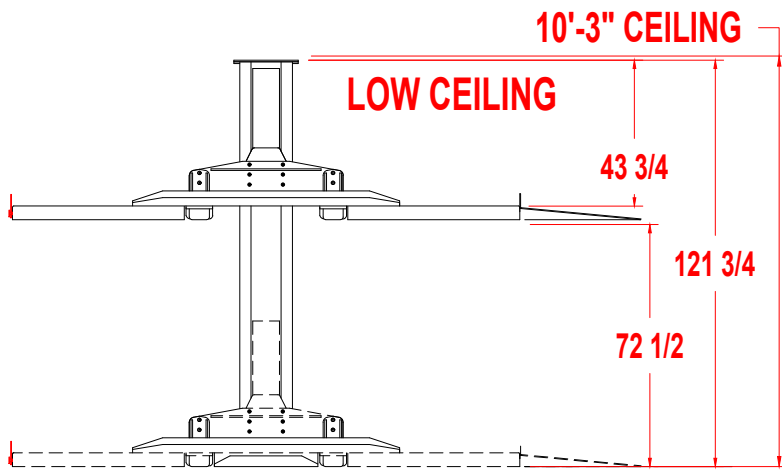
TOP VIEW



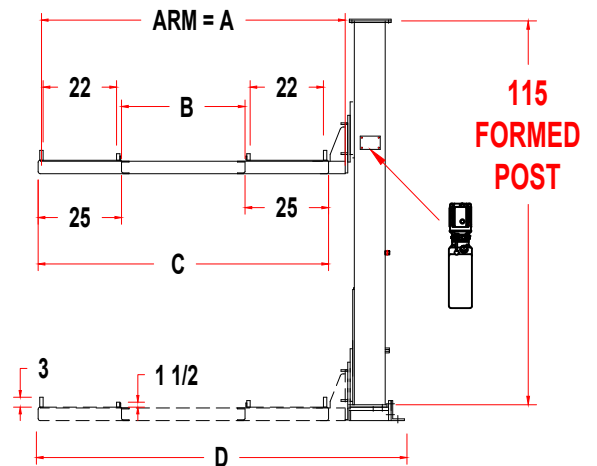
Standard: 86" Arms = 32" Solid Center Deck Optional
 Optional: 91" Arms 37" Solid Center Deck Optional



A	86"	91"
B	32"	37"
C	79"	82"
D	107"	112"



FRONT VIEW



SIDE VIEW

PLEASE CHECK, SIGN & RETURN

FIRM _____

BY _____

DATE _____

AMERICAN

Custom Lifts

1-888-711-5438

www.aclifts.com

M1-5.0 5K Carriage 10ft. 4in. Ceiling

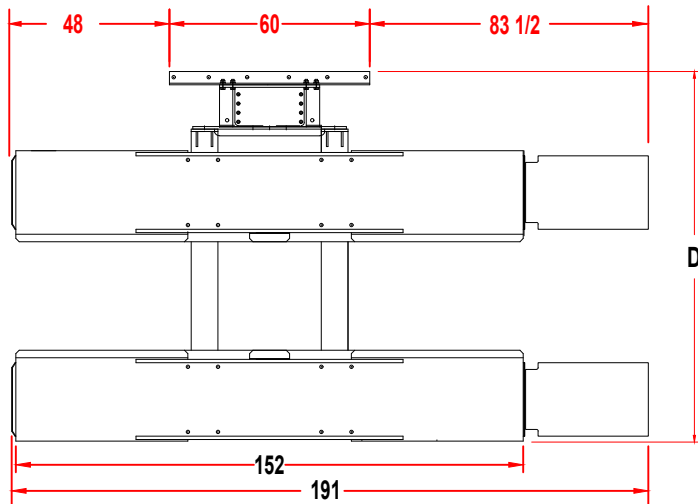
MAX CAPACITY.....5000 lbs.

STANDARD LATCH RELEASE

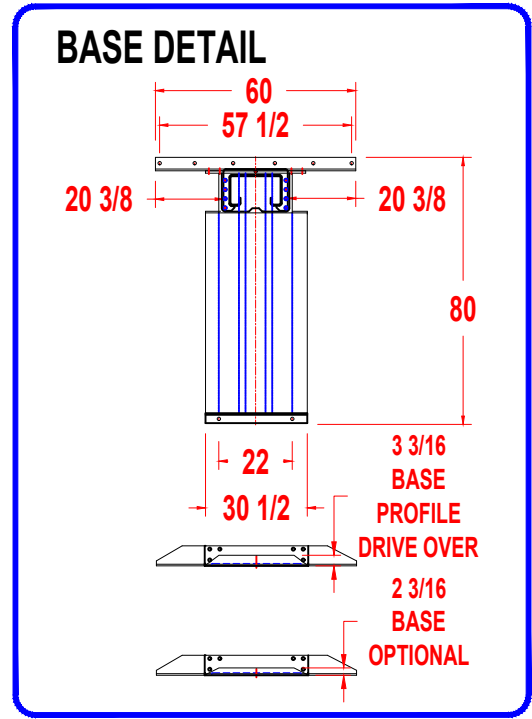
208-230 V SINGLE PHASE POWER UNIT

CONCRETE: 3000 PSI, 4" THICK MIN.

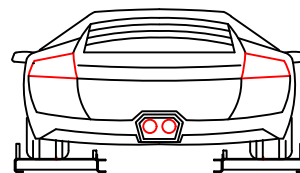
REINFORCED W/ STEEL BAR



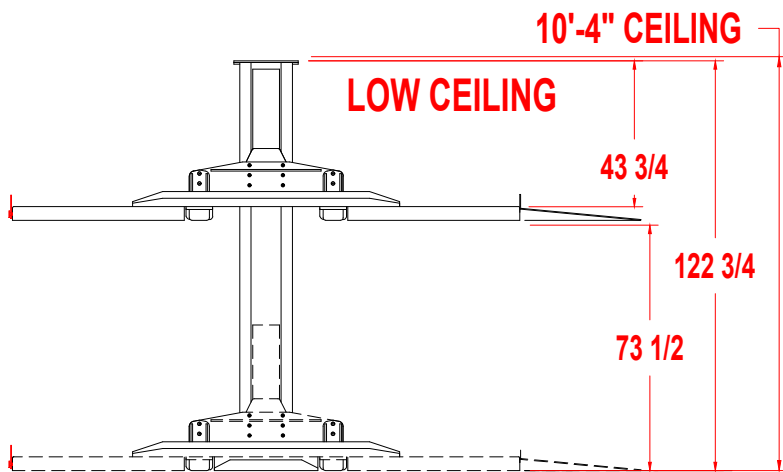
TOP VIEW



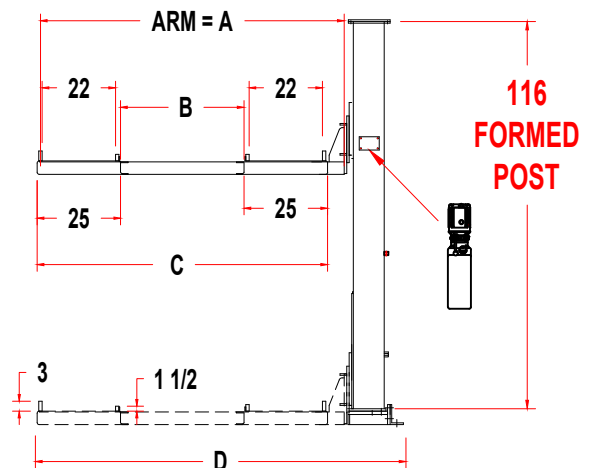
Standard: 86" Arms = 32" Solid Center Deck Optional
 Optional: 91" Arms 37" Solid Center Deck Optional



A	86"	91"
B	32"	37"
C	79"	82"
D	107"	112"



FRONT VIEW



SIDE VIEW

PLEASE CHECK, SIGN & RETURN

FIRM _____

BY _____

DATE _____

AMERICAN

Custom Lifts

1-888-711-5438

www.aclifts.com

M1-5.0 5K Carriage 10ft. 5in. Ceiling

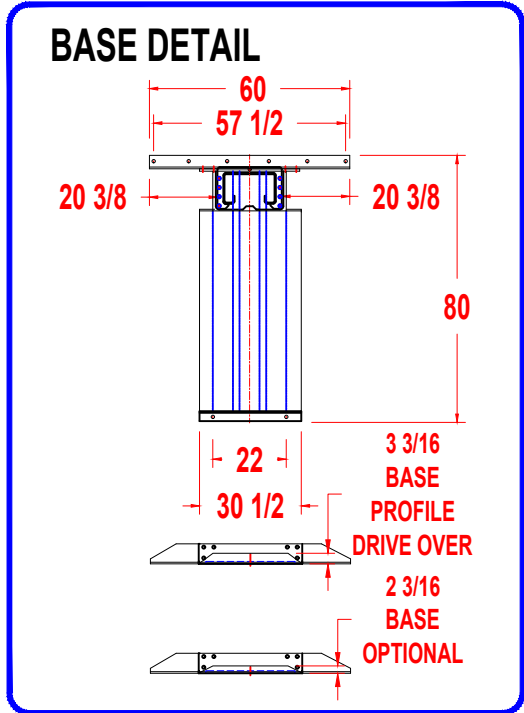
MAX CAPACITY.....5000 lbs.

STANDARD LATCH RELEASE

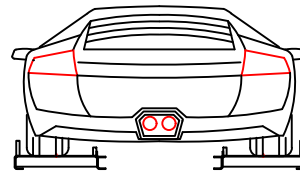
208-230 V SINGLE PHASE POWER UNIT

CONCRETE: 3000 PSI, 4" THICK MIN.

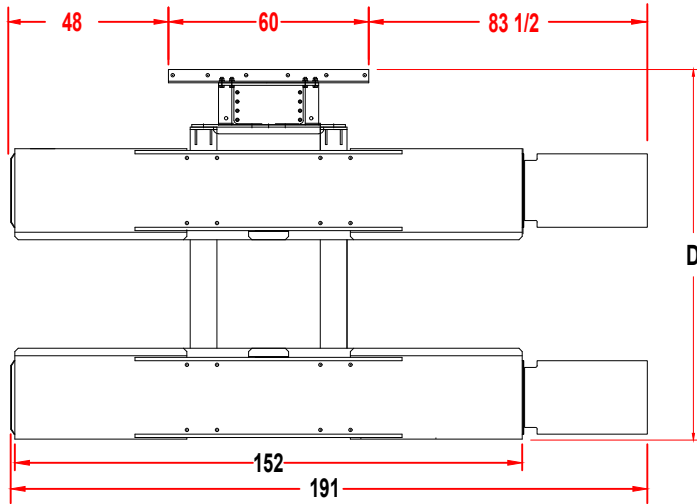
REINFORCED W/ STEEL BAR



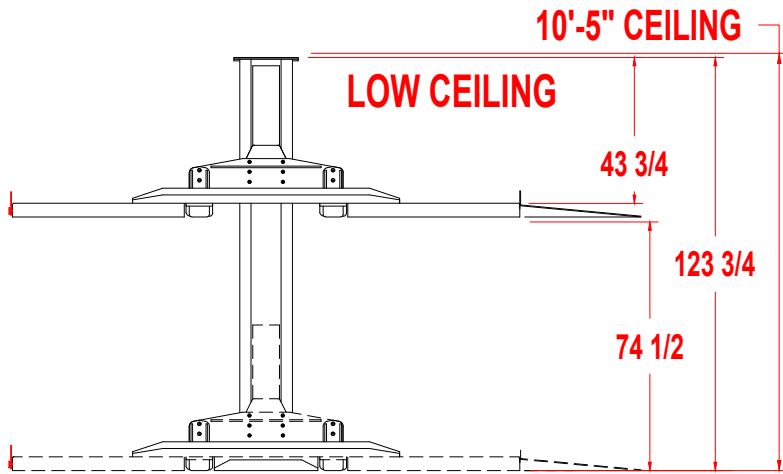
Standard: 86" Arms = 32" Solid Center Deck Optional
 Optional: 91" Arms 37" Solid Center Deck Optional



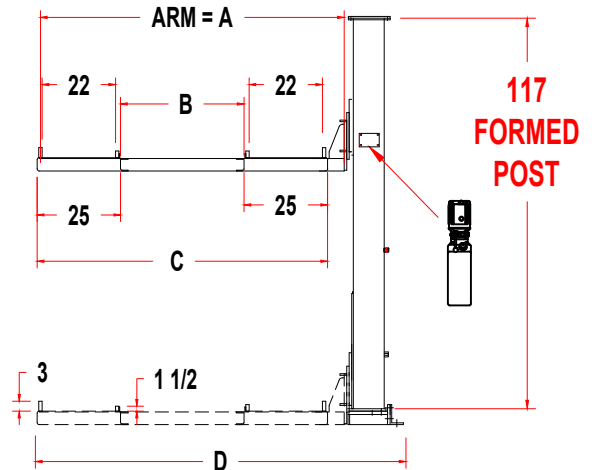
A	86"	91"
B	32"	37"
C	79"	82"
D	107"	112"



TOP VIEW



FRONT VIEW



SIDE VIEW

PLEASE CHECK, SIGN & RETURN

FIRM _____

BY _____

DATE _____

AMERICAN
 Custom Lifts
 1-888-711-5438
 www.aclifts.com

M1-5.0 5K Carriage 10ft. 6in. Ceiling

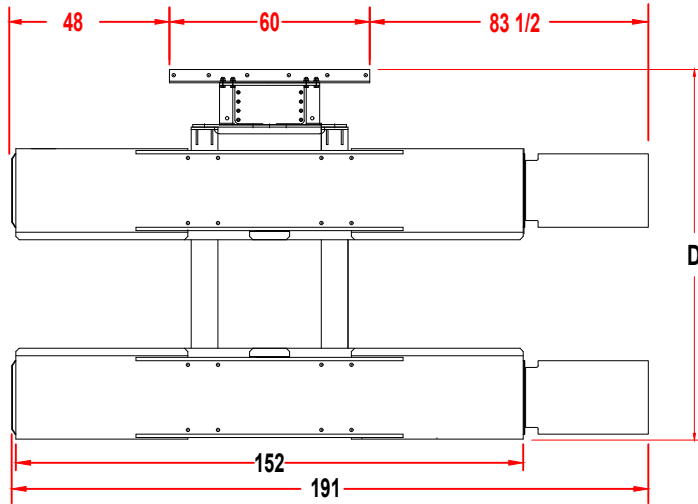
MAX CAPACITY.....5000 lbs.

STANDARD LATCH RELEASE

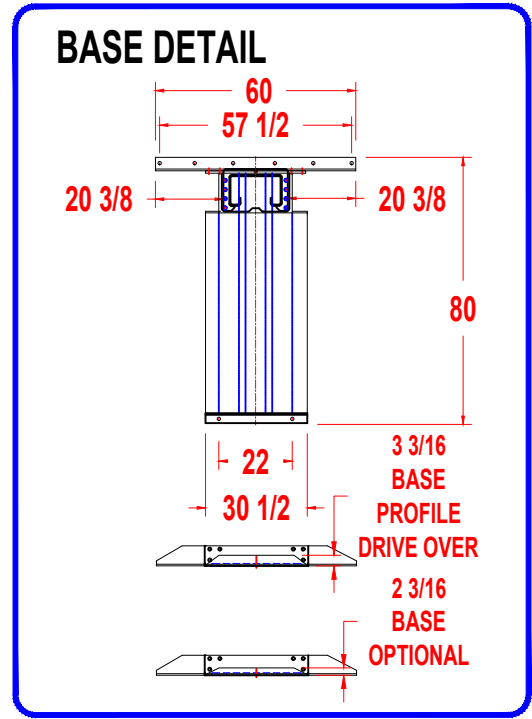
208-230 V SINGLE PHASE POWER UNIT

CONCRETE: 3000 PSI, 4" THICK MIN.

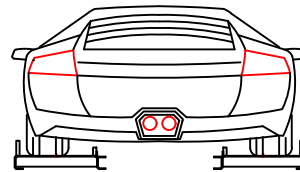
REINFORCED W/ STEEL BAR



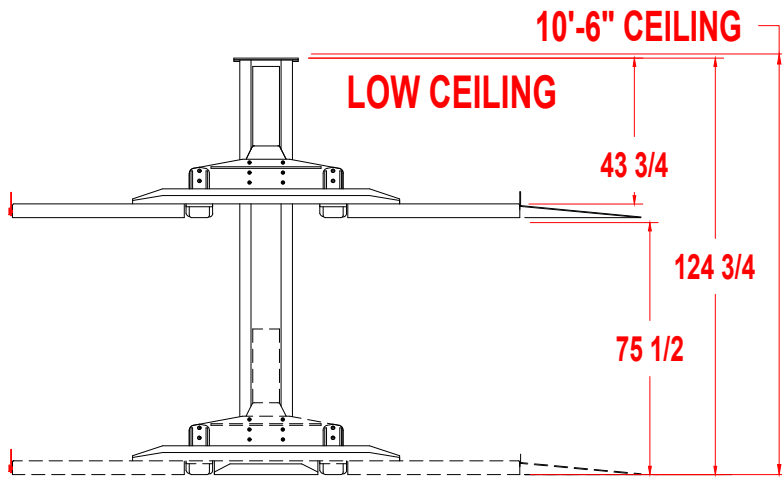
TOP VIEW



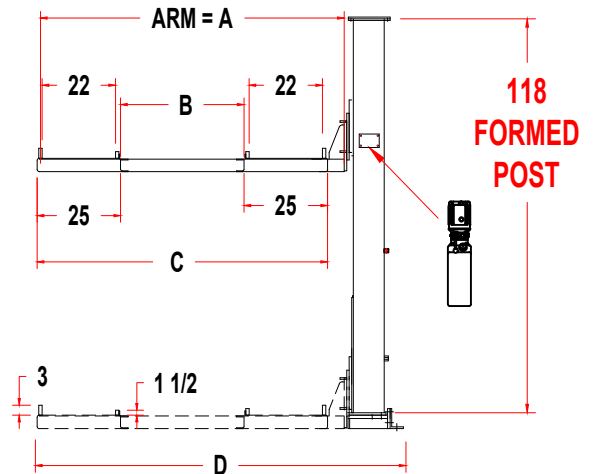
Standard: 86" Arms = 32" Solid Center Deck Optional
 Optional: 91" Arms 37" Solid Center Deck Optional



A	86"	91"
B	32"	37"
C	79"	82"
D	107"	112"



FRONT VIEW



SIDE VIEW

PLEASE CHECK, SIGN & RETURN

FIRM _____

BY _____

DATE _____

AMERICAN

Custom Lifts

1-888-711-5438

www.aclifts.com

M1-5.0 5K Carriage 10ft. 7in. Ceiling

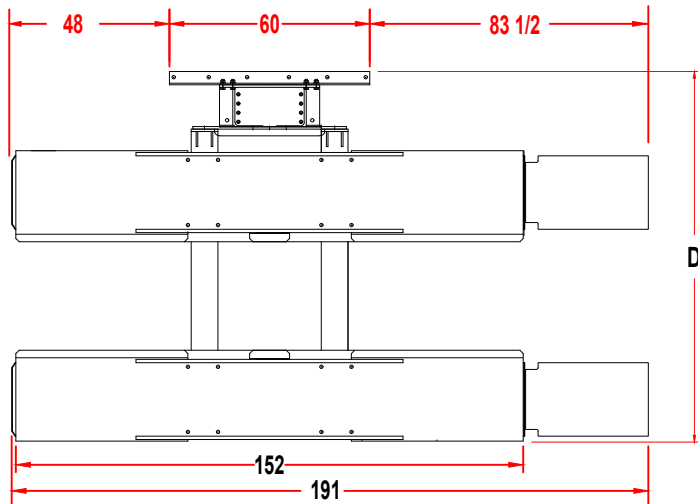
MAX CAPACITY.....5000 lbs.

STANDARD LATCH RELEASE

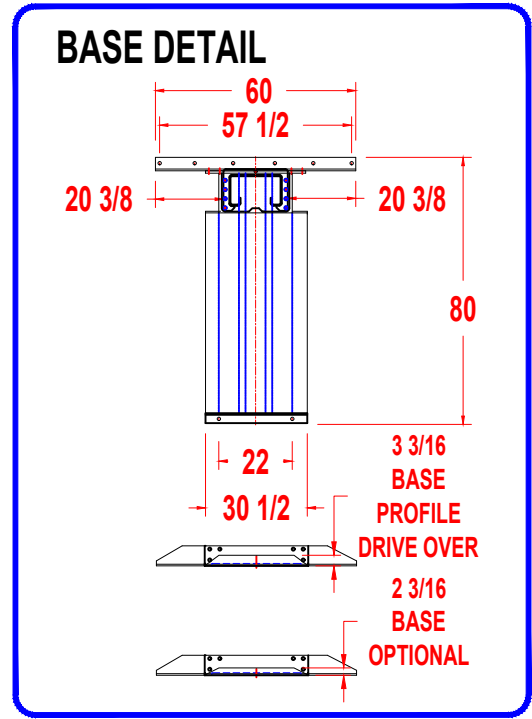
208-230 V SINGLE PHASE POWER UNIT

CONCRETE: 3000 PSI, 4" THICK MIN.

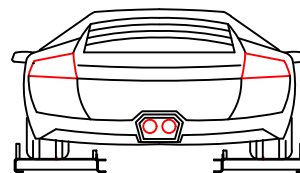
REINFORCED W/ STEEL BAR



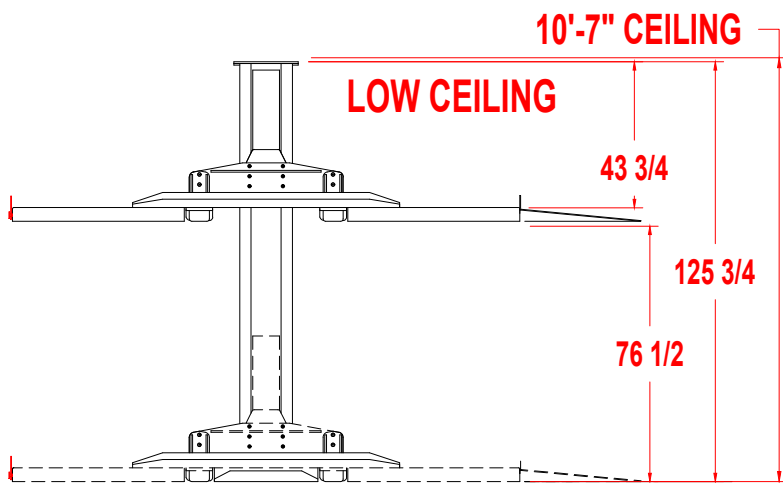
TOP VIEW



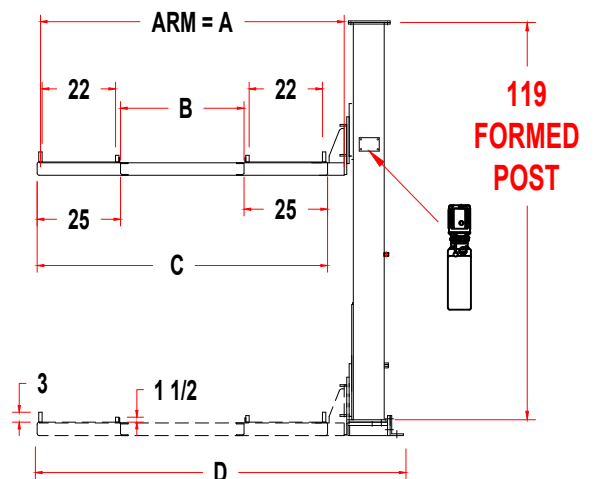
Standard: 86" Arms = 32" Solid Center Deck Optional
 Optional: 91" Arms 37" Solid Center Deck Optional



A	86"	91"
B	32"	37"
C	79"	82"
D	107"	112"



FRONT VIEW



SIDE VIEW

PLEASE CHECK, SIGN & RETURN

FIRM _____

BY _____

DATE _____

AMERICAN

Custom Lifts

1-888-711-5438

www.aclifts.com

M1-5.0 5K Carriage 10ft. 8in. Ceiling

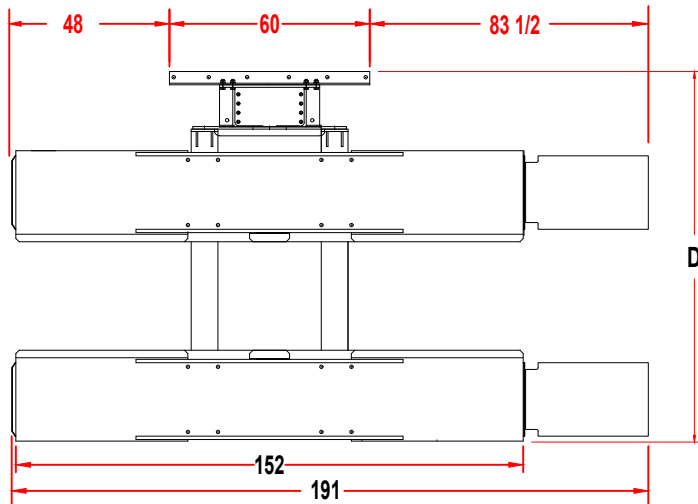
MAX CAPACITY.....5000 lbs.

STANDARD LATCH RELEASE

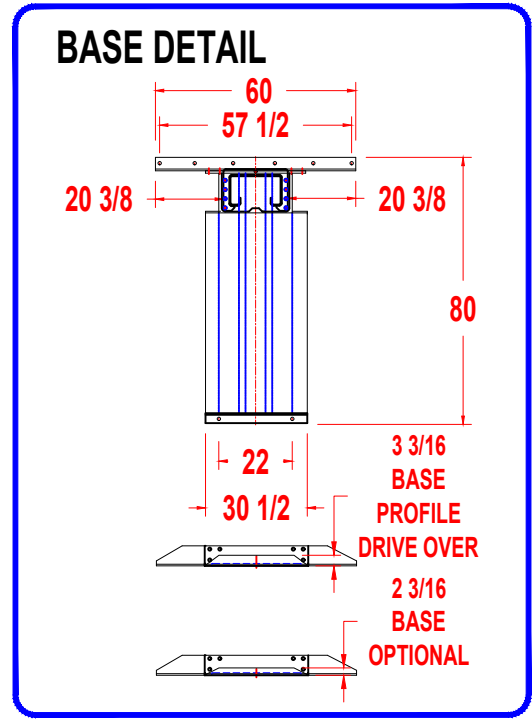
208-230 V SINGLE PHASE POWER UNIT

CONCRETE: 3000 PSI, 4" THICK MIN.

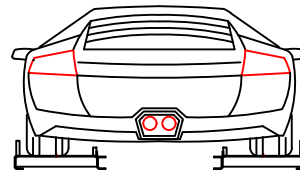
REINFORCED W/ STEEL BAR



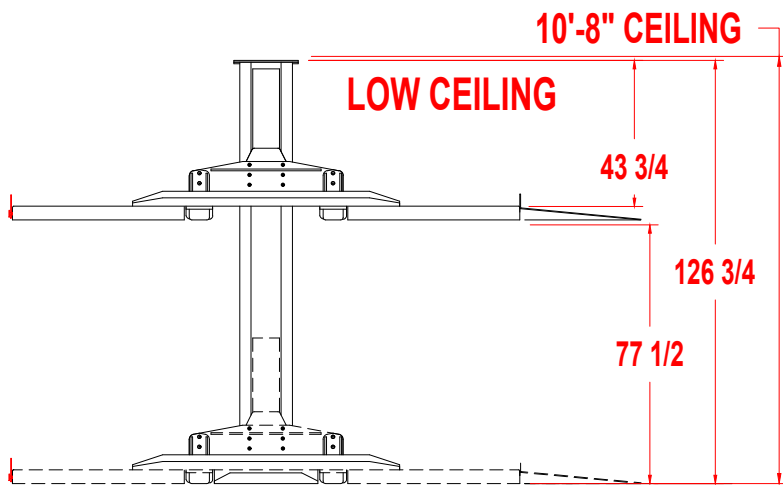
TOP VIEW



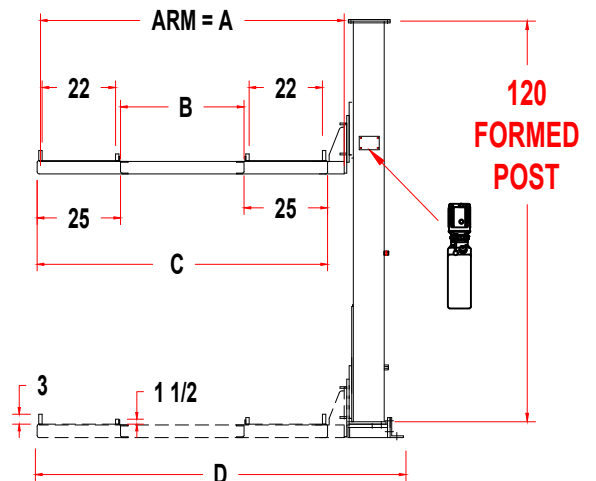
Standard: 86" Arms = 32" Solid Center Deck Optional
 Optional: 91" Arms 37" Solid Center Deck Optional



A	86"	91"
B	32"	37"
C	79"	82"
D	107"	112"



FRONT VIEW



SIDE VIEW

PLEASE CHECK, SIGN & RETURN

FIRM _____

BY _____

DATE _____

AMERICAN

Custom Lifts

1-888-711-5438

www.aclifts.com

M1-5.0 5K Carriage 10ft. 9in. Ceiling

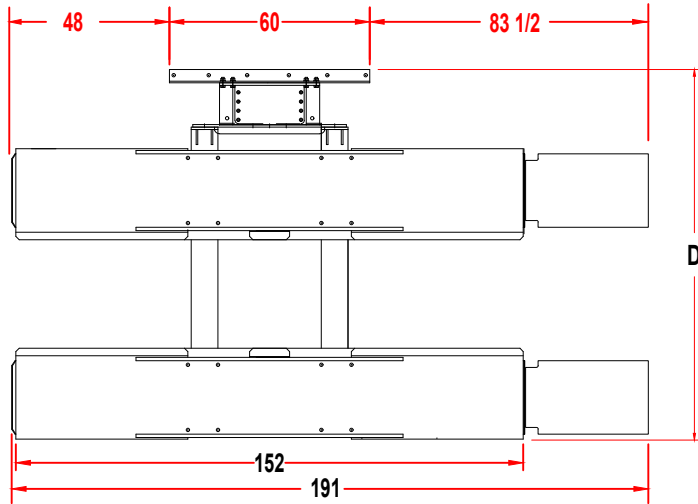
MAX CAPACITY.....5000 lbs.

STANDARD LATCH RELEASE

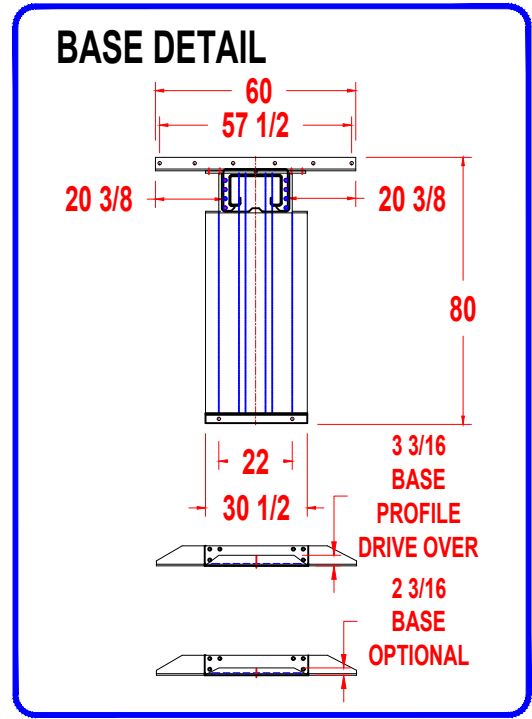
208-230 V SINGLE PHASE POWER UNIT

CONCRETE: 3000 PSI, 4" THICK MIN.

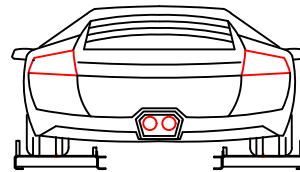
REINFORCED W/ STEEL BAR



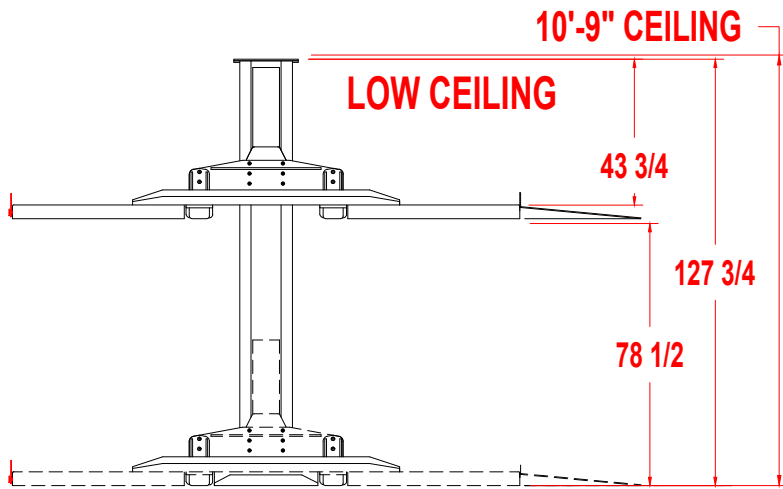
TOP VIEW



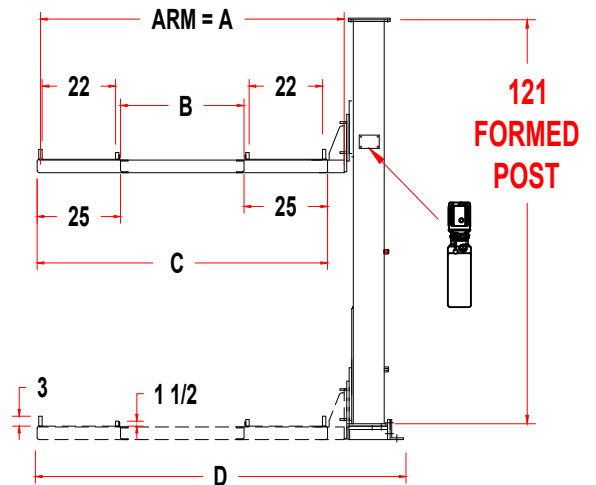
Standard: 86" Arms = 32" Solid Center Deck Optional
 Optional: 91" Arms 37" Solid Center Deck Optional



A	86"	91"
B	32"	37"
C	79"	82"
D	107"	112"



FRONT VIEW



SIDE VIEW

PLEASE CHECK, SIGN & RETURN

FIRM _____

BY _____

DATE _____

AMERICAN

Custom Lifts

1-888-711-5438

www.aclifts.com

M1-5.0 5K Carriage 10ft. 10in. Ceiling

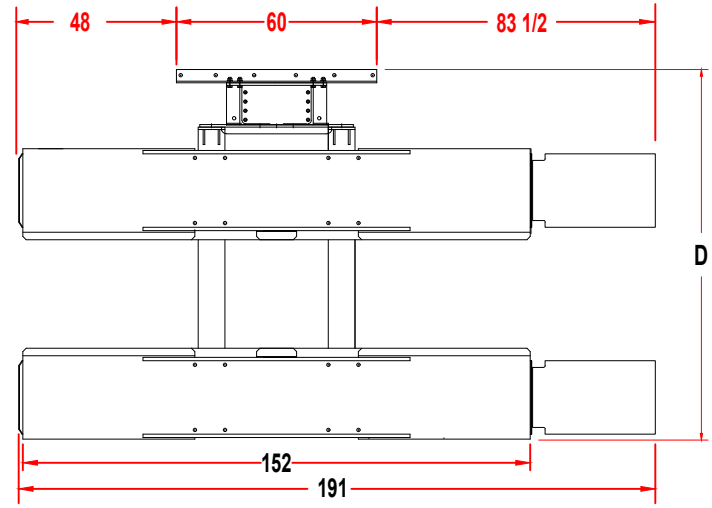
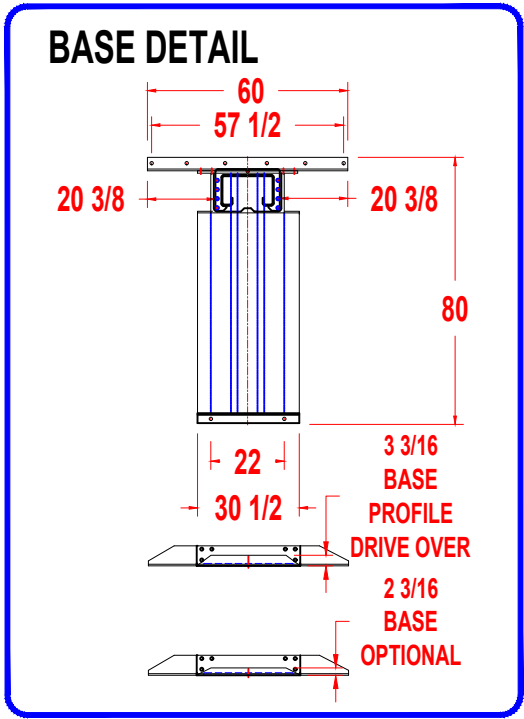
MAX CAPACITY.....5000 lbs.

STANDARD LATCH RELEASE

208-230 V SINGLE PHASE POWER UNIT

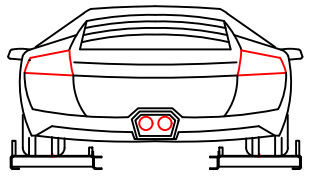
CONCRETE: 3000 PSI, 4" THICK MIN.

REINFORCED W/ STEEL BAR

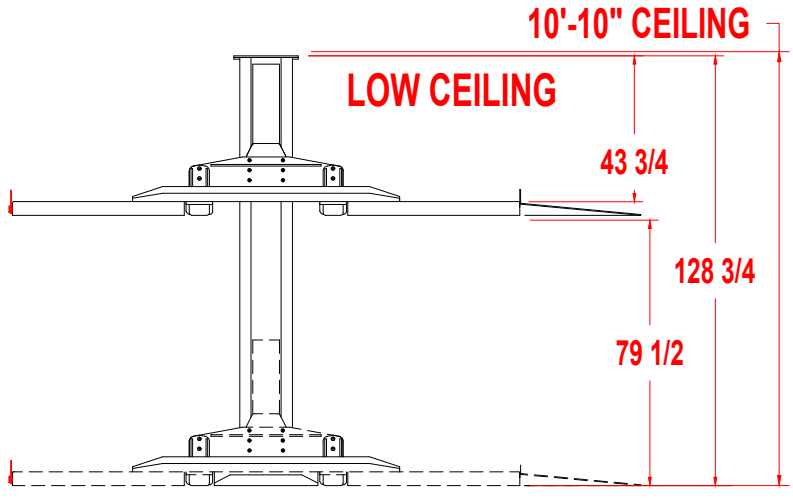


TOP VIEW

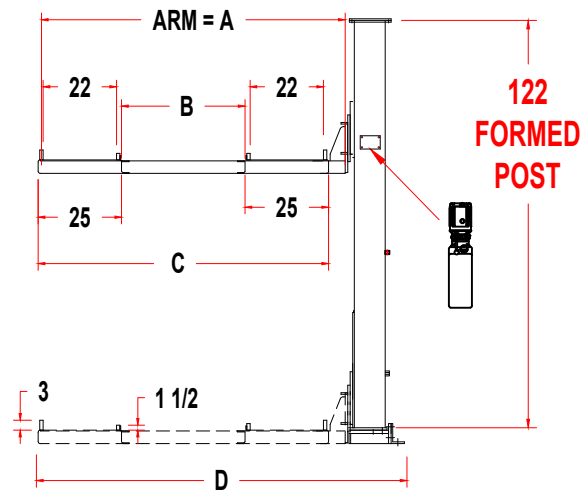
Standard: 86" Arms = 32" Solid Center Deck Optional
 Optional: 91" Arms 37" Solid Center Deck Optional



A	86"	91"
B	32"	37"
C	79"	82"
D	107"	112"



FRONT VIEW



SIDE VIEW

PLEASE CHECK, SIGN & RETURN

FIRM _____

BY _____

DATE _____

AMERICAN
 Custom Lifts
 1-888-711-5438
 www.aclifts.com

M1-5.0 5K Carriage 10ft. 11in. Ceiling

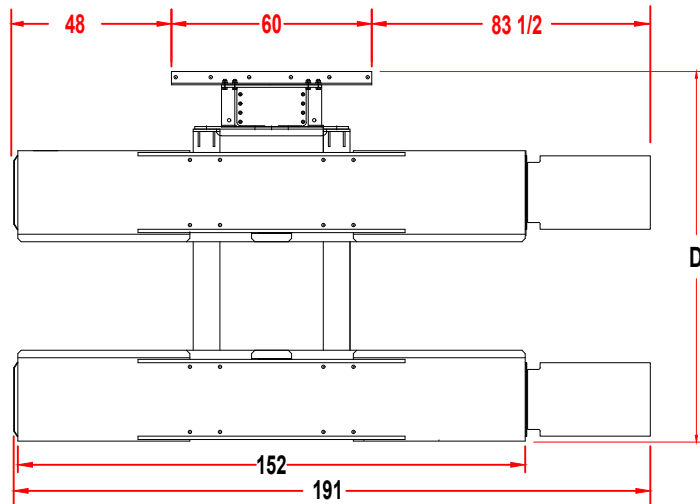
MAX CAPACITY.....5000 lbs.

STANDARD LATCH RELEASE

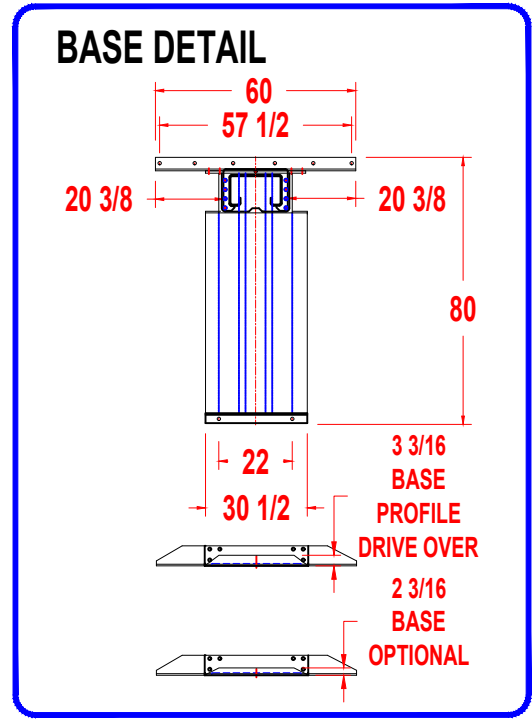
208-230 V SINGLE PHASE POWER UNIT

CONCRETE: 3000 PSI, 4" THICK MIN.

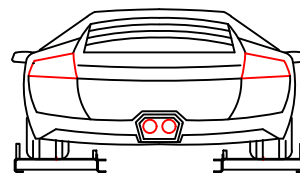
REINFORCED W/ STEEL BAR



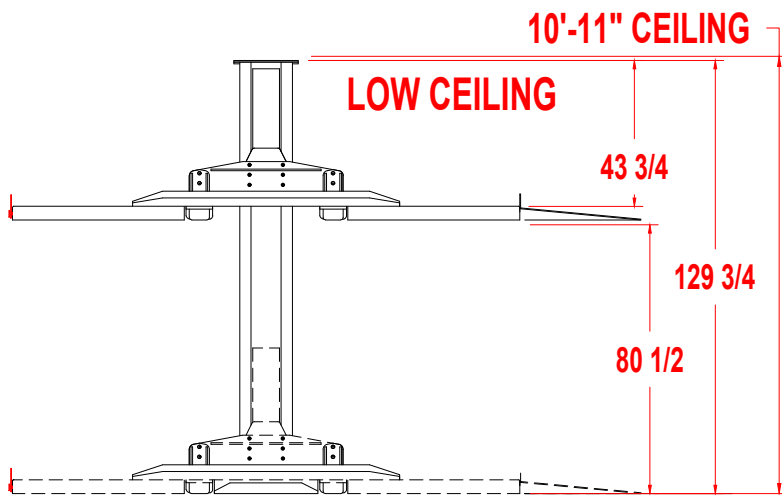
TOP VIEW



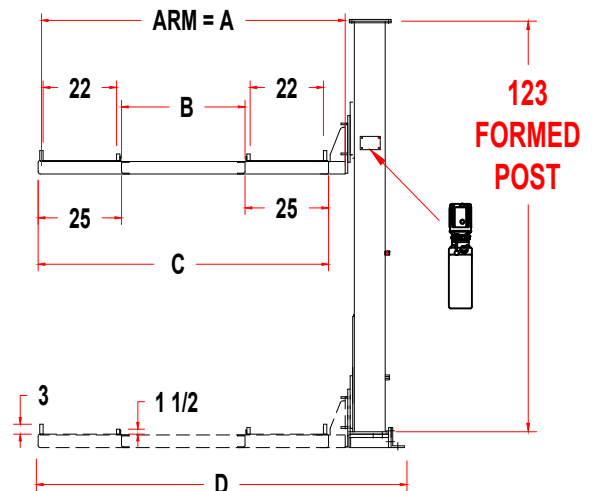
Standard: 86" Arms = 32" Solid Center Deck Optional
 Optional: 91" Arms 37" Solid Center Deck Optional



A	86"	91"
B	32"	37"
C	79"	82"
D	107"	112"



FRONT VIEW



SIDE VIEW

PLEASE CHECK, SIGN & RETURN

FIRM _____

BY _____

DATE _____

AMERICAN

Custom Lifts

1-888-711-5438

www.aclifts.com

M1-5.0 5K Carriage 11ft. 0in. Ceiling

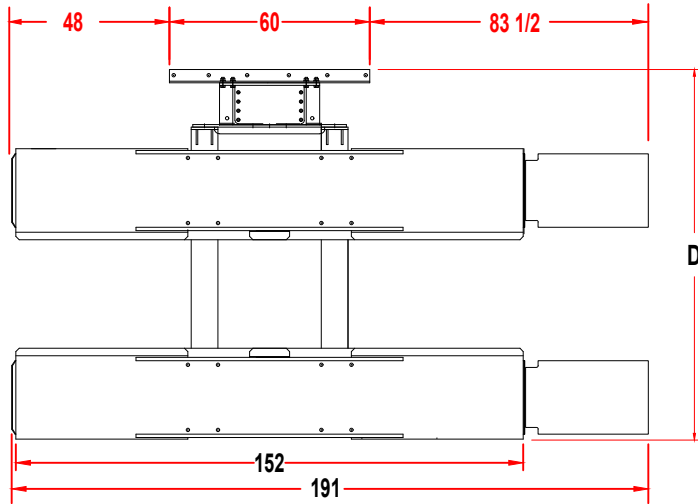
MAX CAPACITY.....5000 lbs.

STANDARD LATCH RELEASE

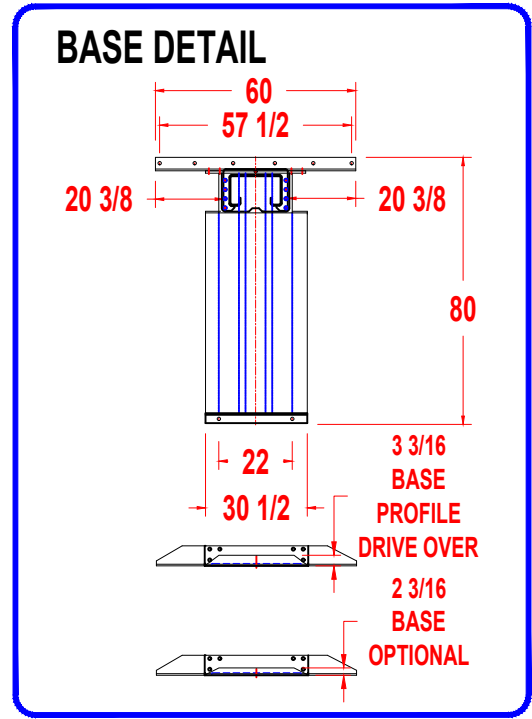
208-230 V SINGLE PHASE POWER UNIT

CONCRETE: 3000 PSI, 4" THICK MIN.

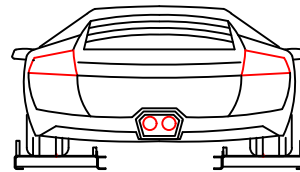
REINFORCED W/ STEEL BAR



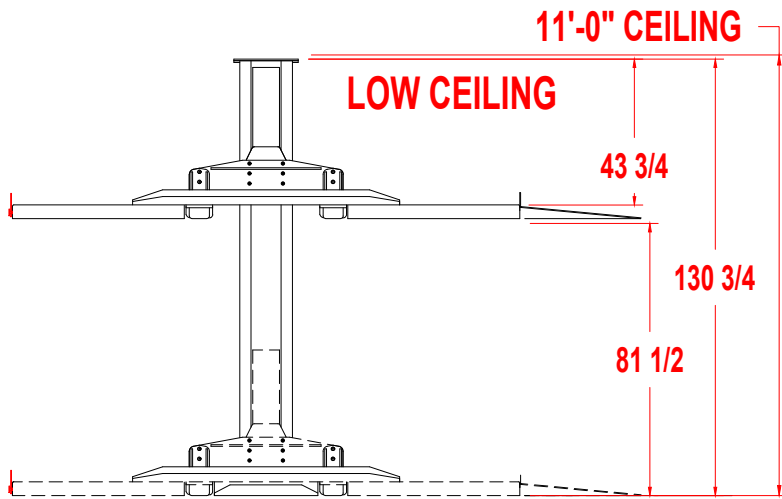
TOP VIEW



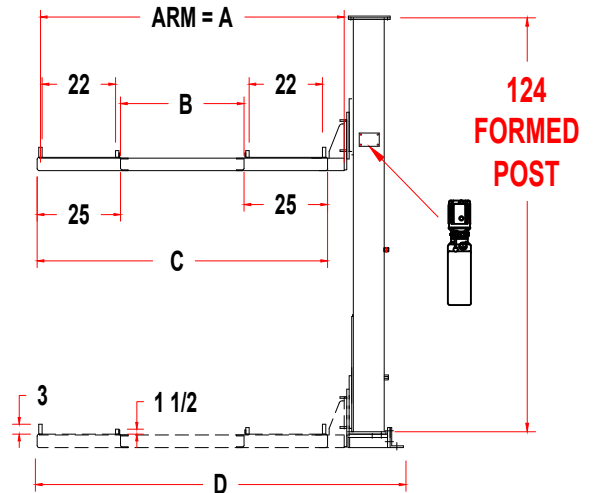
Standard: 86" Arms = 32" Solid Center Deck Optional
 Optional: 91" Arms 37" Solid Center Deck Optional



A	86"	91"
B	32"	37"
C	79"	82"
D	107"	112"



FRONT VIEW



SIDE VIEW

PLEASE CHECK, SIGN & RETURN

FIRM _____

BY _____

DATE _____

AMERICAN

Custom Lifts

1-888-711-5438

www.aclifts.com

M1-5.0 5K Carriage 11ft. 1in. Ceiling

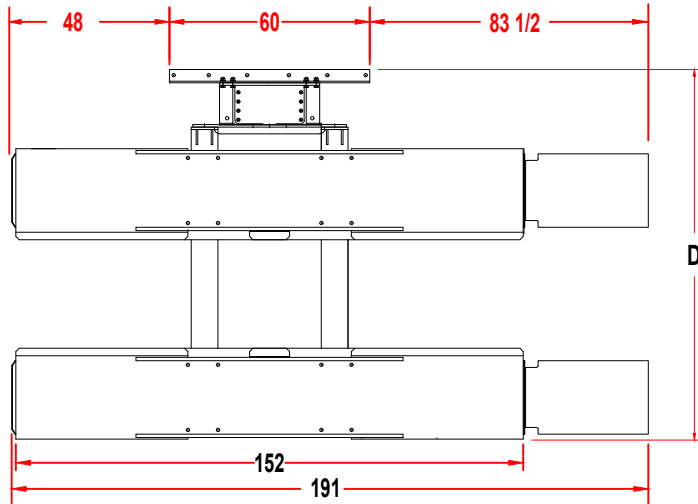
MAX CAPACITY.....5000 lbs.

STANDARD LATCH RELEASE

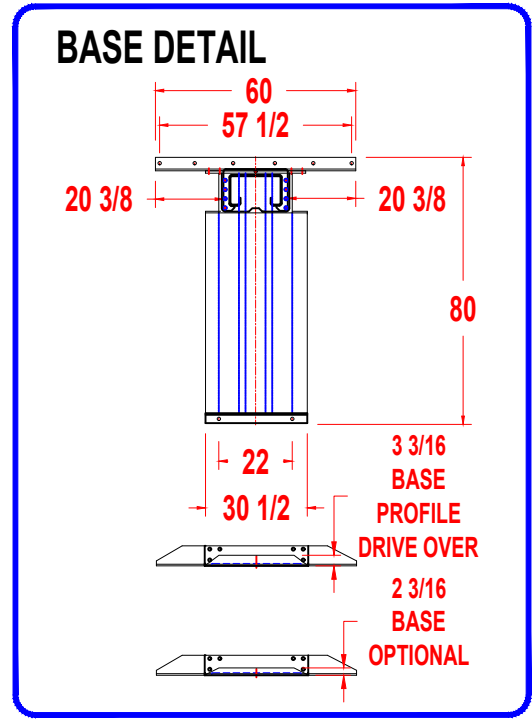
208-230 V SINGLE PHASE POWER UNIT

CONCRETE: 3000 PSI, 4" THICK MIN.

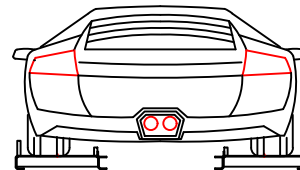
REINFORCED W/ STEEL BAR



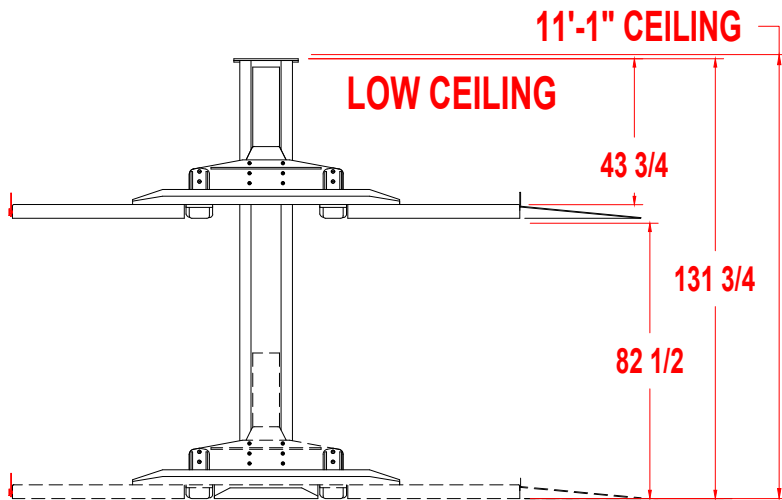
TOP VIEW



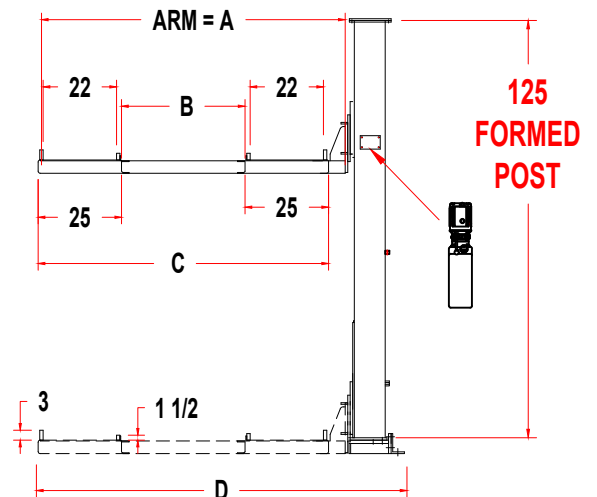
Standard: 86" Arms = 32" Solid Center Deck Optional
 Optional: 91" Arms 37" Solid Center Deck Optional



A	86"	91"
B	32"	37"
C	79"	82"
D	107"	112"



FRONT VIEW



SIDE VIEW

PLEASE CHECK, SIGN & RETURN

FIRM _____

BY _____

DATE _____

AMERICAN

Custom Lifts

1-888-711-5438

www.aclifts.com