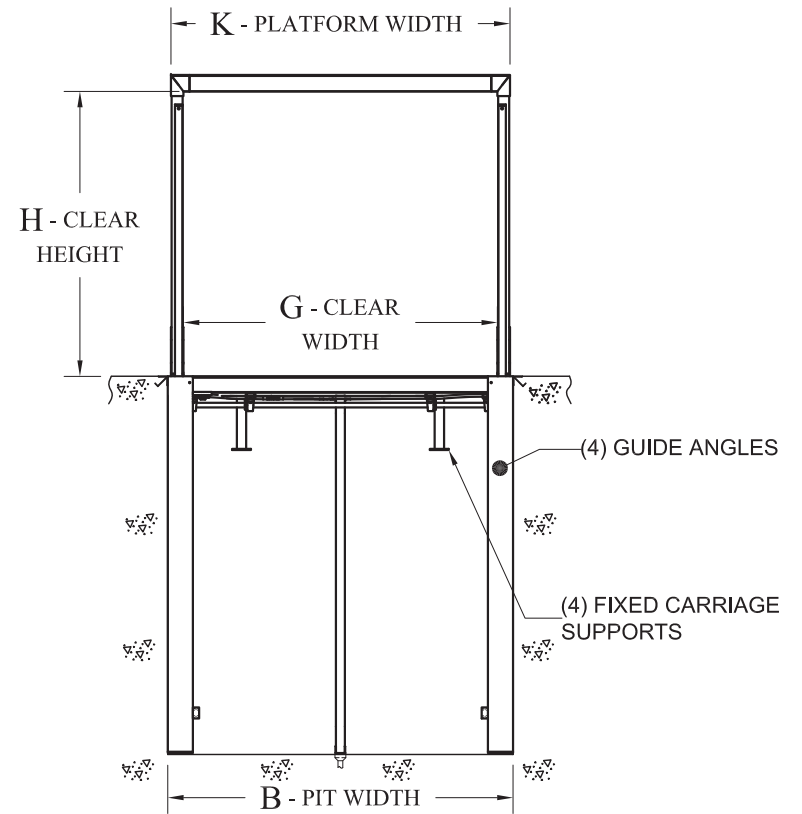
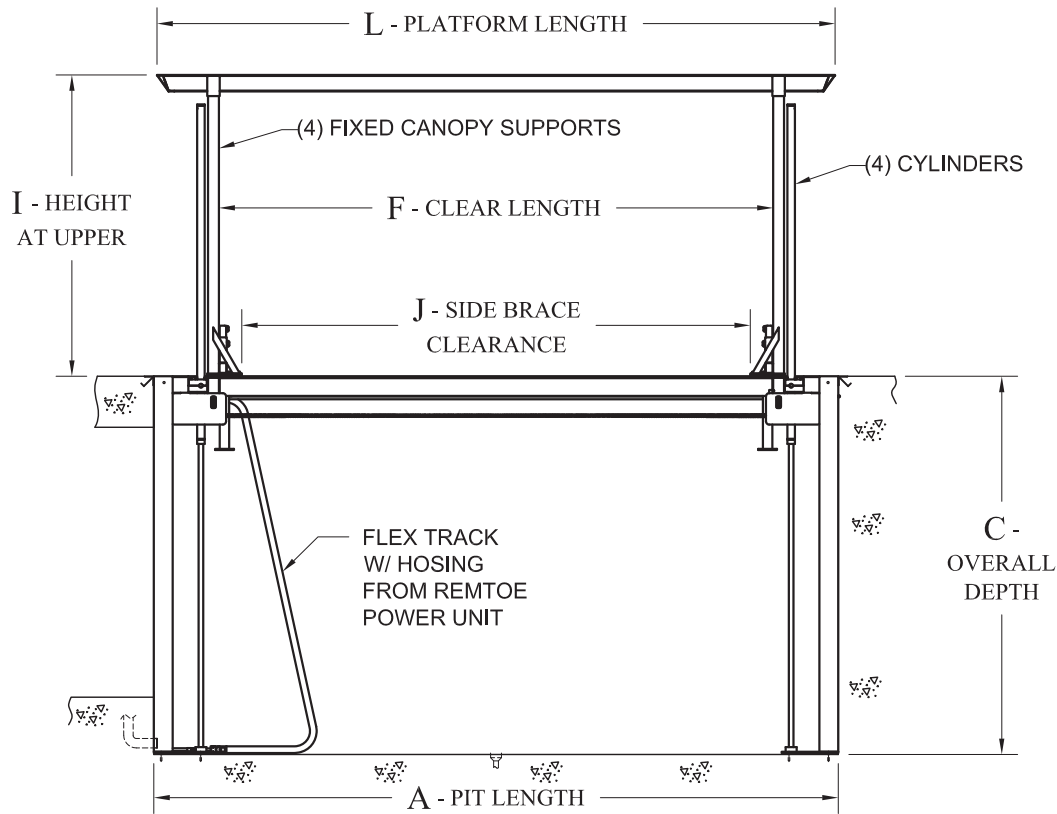


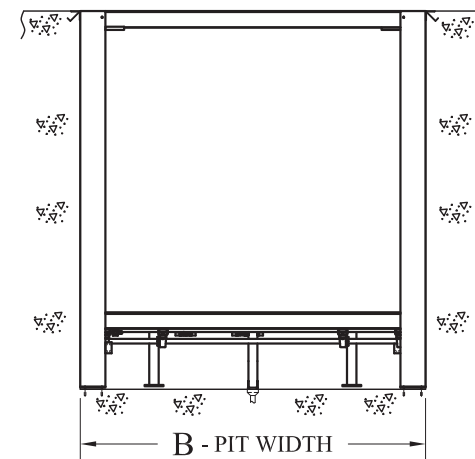
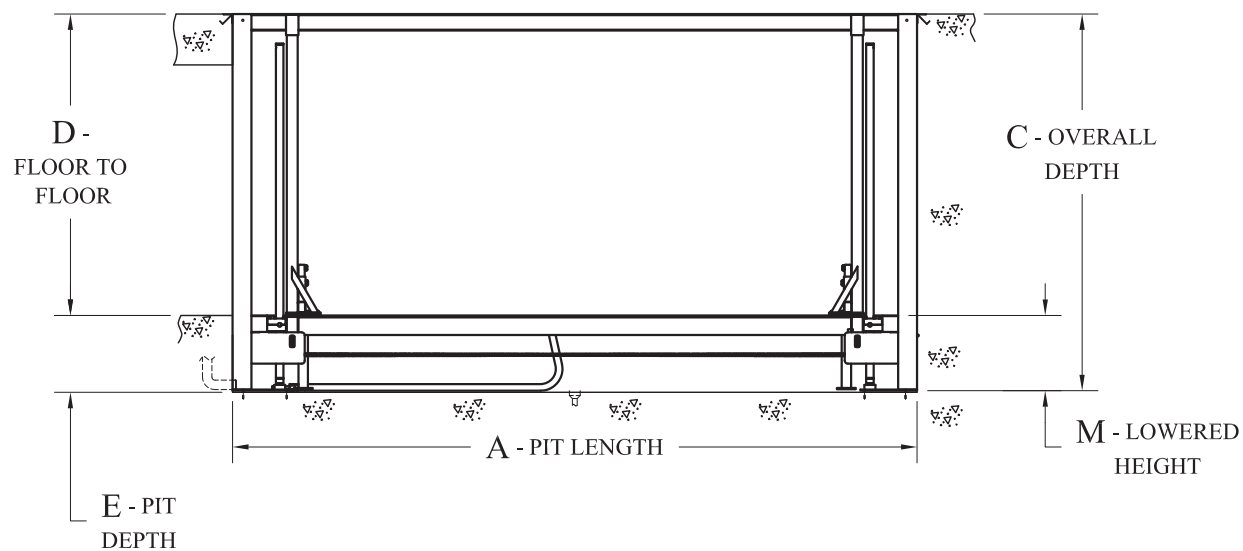
**PHANTOMPARK SUBTERRANEAN LIFT
GENERAL ARRANGEMENT
(PATENT PENDING)**



(NOT TO SCALE)
PROPOSAL DRAWING
QUOTE NO. _____
REV. 0 - 04/04/11
AMERICAN CUSTOM LIFTS
82602348

**ELEVATION VIEW
LIFT IN RAISED POSITION**

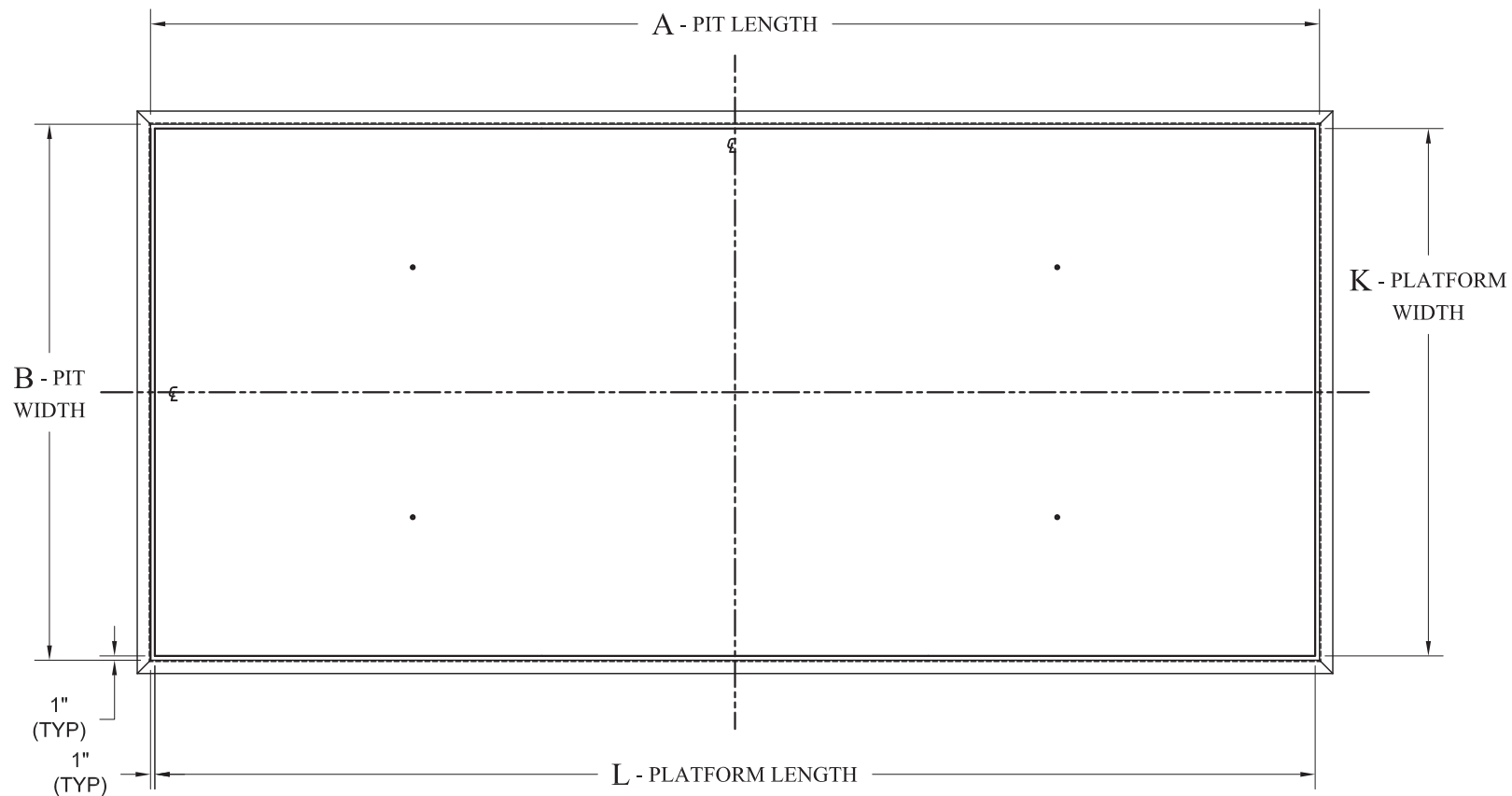
**PHANTOMPARK SUBTERRANEAN LIFT
GENERAL ARRANGEMENT
(PATENT PENDING)**



(NOT TO SCALE)
PROPOSAL DRAWING
QUOTE NO. _____
REV. 0 - 04/04/11
AMERICAN CUSTOM LIFTS
82602348

ELEVATION VIEW
LIFT IN LOWERED POSITION

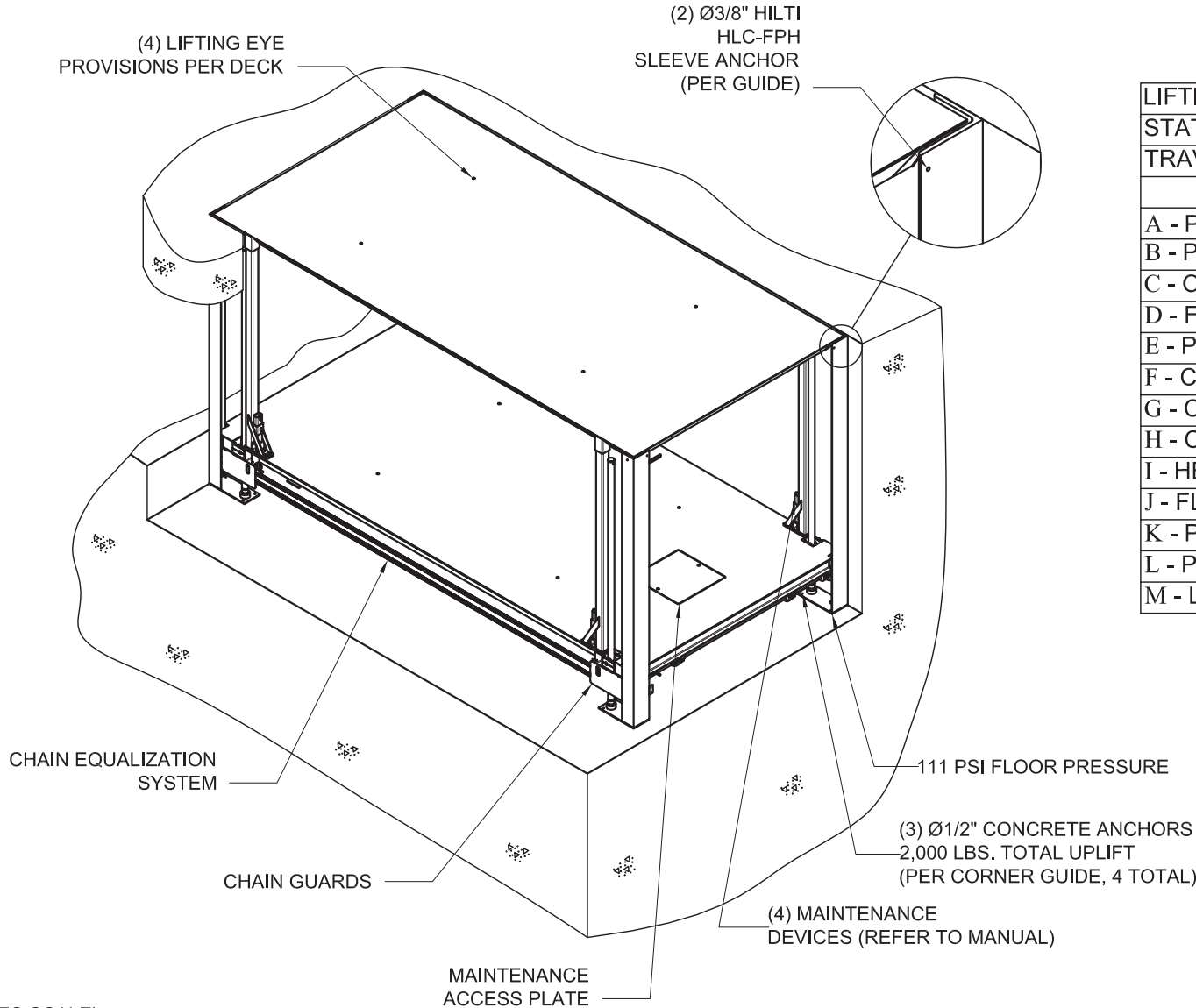
**PHANTOMPARK SUBTERRANEAN LIFT
GENERAL ARRANGEMENT
(PATENT PENDING)**



TOP VIEW
CANOPY - UPPER FLOOR OPENING

(NOT TO SCALE)
PROPOSAL DRAWING
QUOTE NO. _____
REV. 0 - 04/04/11
AMERICAN CUSTOM LIFTS
82602348

**PHANTOMPARK SUBTERRANEAN LIFT
GENERAL ARRANGEMENT
(PATENT PENDING)**



LIFTING CAPACITY:		LBS. TOTAL
STATIC CAPACITY:		LBS. PER DECK
TRAVEL:		INCHES (APPROX)

DIMENSIONS KEY

A - PIT LENGTH	
B - PIT WIDTH	
C - OVERALL DEPTH	
D - FLOOR TO FLOOR	
E - PIT DEPTH	
F - CLEAR LENGTH	
G - CLEAR WIDTH	
H - CLEAR HEIGHT	
I - HEIGHT AT UPPER	
J - FLOOR CLEARANCE	
K - PLATFORM WIDTH	
L - PLATFORM LENGTH	
M - LOWERED HEIGHT	

EQUATION KEY

A = L + 2"
B = K + 2"
E = M + 1/2"
F = L - 40"
G = K - 8"
H = I - 6"
J = L - 54"

(NOT TO SCALE)
PROPOSAL DRAWING
QUOTE NO. _____
REV. 0 - 04/04/11
AMERICAN CUSTOM LIFTS
82602348

**ISOMETRIC VIEW
LIFT IN LOWERED POSITION**

