

'MaximumOne' Single Post Parking Lift



OPTIONAL ALUMINUM CENTERS: \$1295
ALUMINUM DRIVE ON RAMPS: Included

SPACE-SAVING SINGLE POST DESIGN:

Requires less garage space than two-post and four-post parking/storage lifts. Offers unrestricted access. No worries about multiple posts to scratch your car or ding your wing mirrors during entry/exit

SUPERIOR LIFTING HEIGHT

With up to 82" of clearance on its top lock, the MaximumOne accommodates virtually any car, truck, van and SUV on the market!

STURDY LIFTING CAPACITY:

Easily lifts most cars, trucks, vans and SUV's.

POWER UNIT:

220v. 110v optional for 4.5 only (Derated to 4K capacity)

POSITIVE LOCKING MECHANISM:

Precision-engineered mechanism automatically engages locks for maximum safety when lift is raised.

ADJUSTABLE TRACK WIDTH:

You can increase or decrease the width between tracks to fit virtually any size vehicle you want!

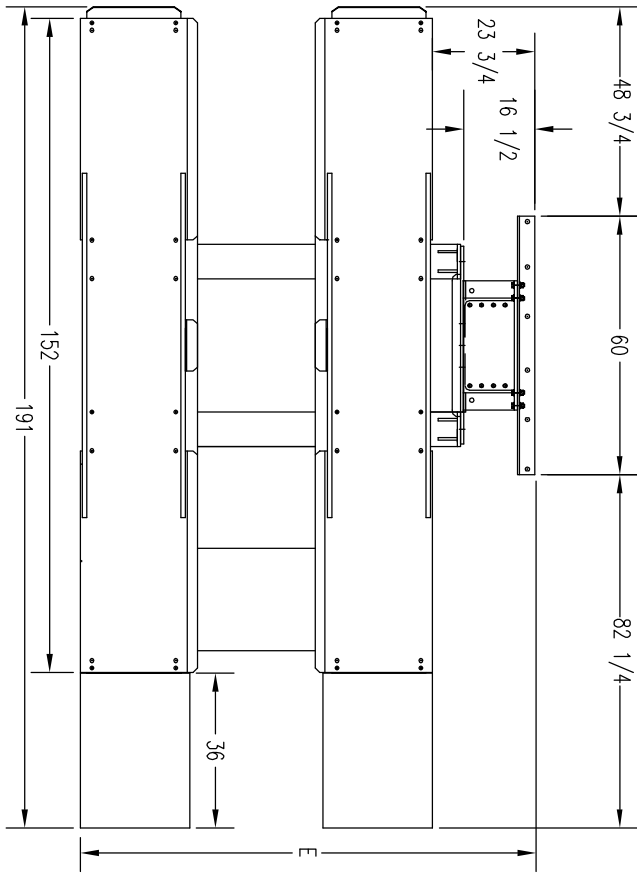
NON-SAG STEEL TRACKS WITH SAFETY WHEEL GUIDES:

Gives you easy access for oil changes and underbody work.

INSTALLATION:

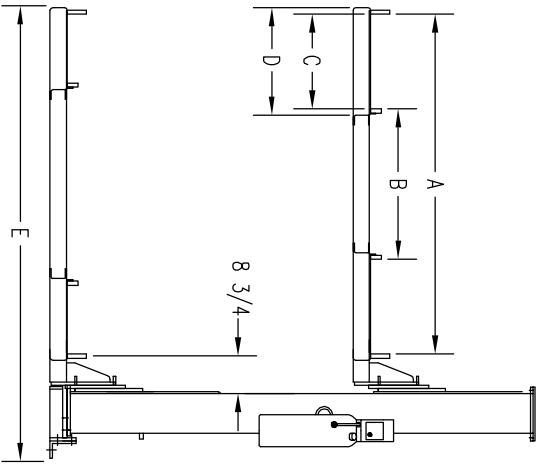
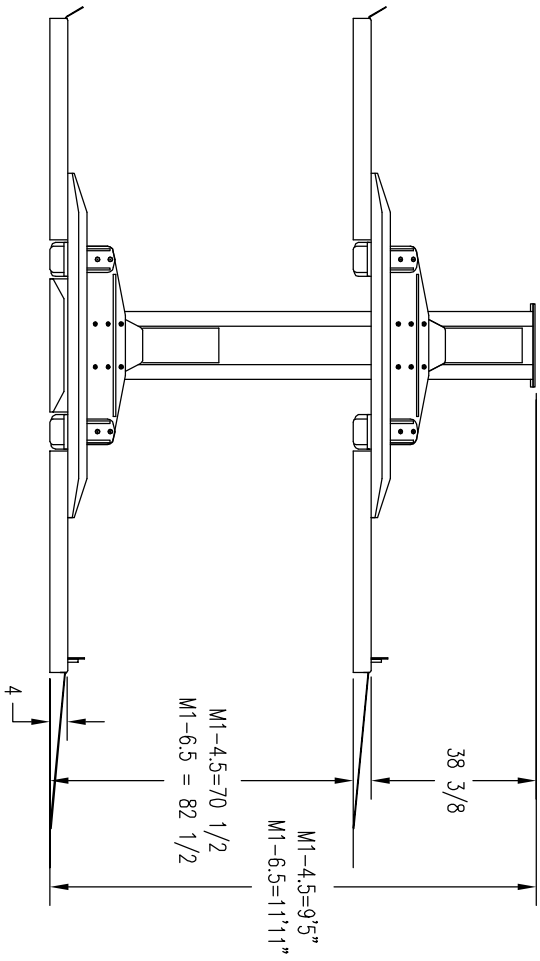
Mounts on standard concrete foundation using anchor bolts. Install yourself or use our nationwide professional installation service.

SINGLE POST PARKING LIFT: M1-4.5 & M1-6.5



SPECIFICATIONS

- MAX CAPACITY.....4500/6500 lb
- OVERALL LENGTH.....15'-11"
- TRACK LENGTH.....12'-8"
- MAXIMUM WHEELBASE.....130"
- MAX HEIGHT CLEAR.....70 1/2"/82 1/2"
- COLUMN HEIGHT.....9'-5"/11'-11"
- SPEED OF RISE.....60-70 SEC
- RECOMMENDED CEILING HT.....12'
- MINIMUM CEILING HT.....9'-6"/12'
- MECHANICAL SAFETY LOCK
- 208-230 V SINGLE PHASE POWER UNIT
- CONCRETE: 3000 PSI, 4" THICK
- REINFORCED W/ STEEL BAR, MESH



TRACK SET UP OPTIONS
With 32" Solid Center Dec

A	Inside 79" Outside 82"
B	35"
C	22"
D	25"
E	106"