

SP1500 SUPER DUTY SINGLE POST MOTORCYCLE LIFT

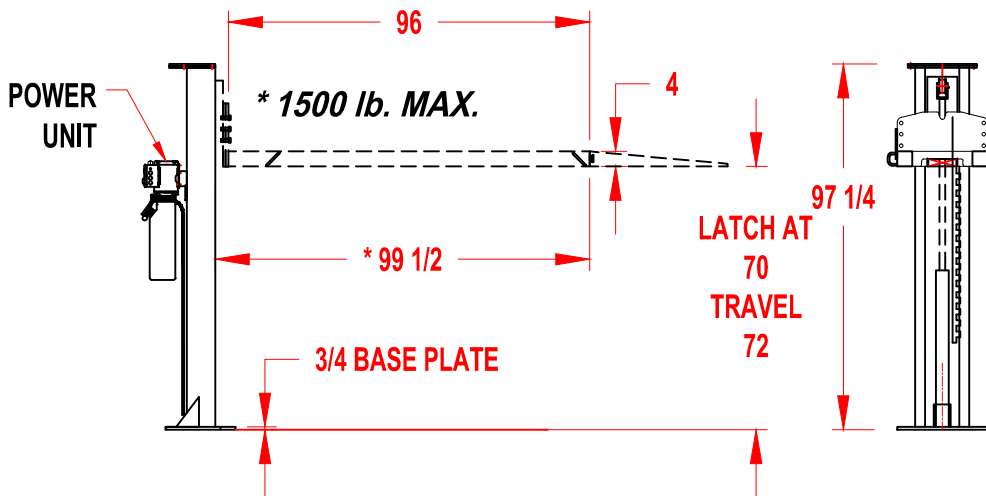
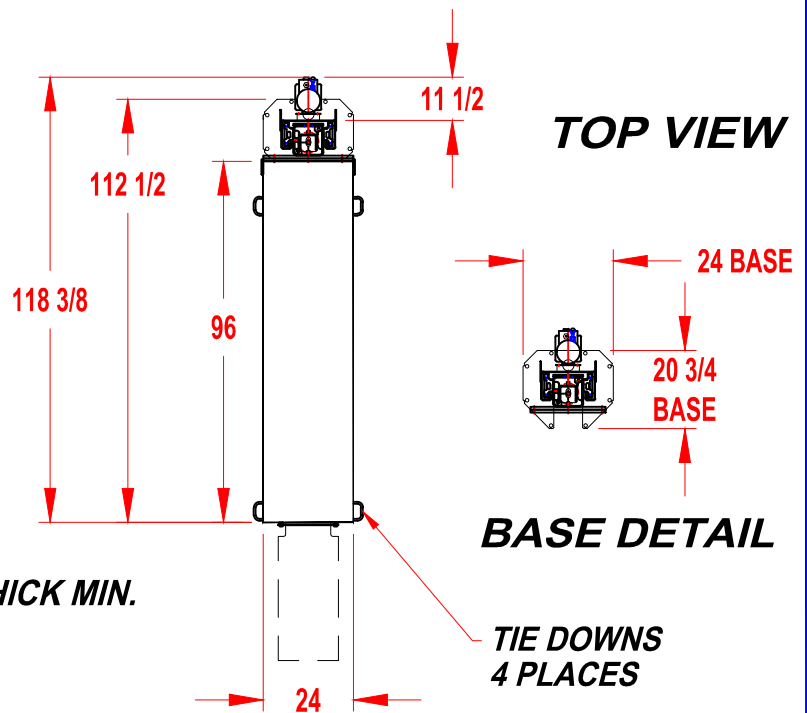
LOW POST HEIGHT ALLOWS FOR TYPICAL LOW CEILING RESIDENTIAL INSTALLATIONS
CHAIN OVER HYDRAULIC CYLINDER LIFTING SYSTEM WITH HEAVY DUTY LEAF CHAIN

120 VAC SINGLE PHASE POWER UNIT
MAX CAPACITY..... 1500 lbs.
PLATFORM & RAMP BRITE
ALUMINUM DIAMOND PLATE

RAMP
16 X 36 LONG
REMOVABLE



6 CONCRETE ANCHORS PROVIDED
REQUIRED CONCRETE: 3000 PSI, 4" THICK MIN.
REINFORCED W/ STEEL REBAR



CABLE LATCH
RELEASE SYSTEM
19 LOCKS
3 C-C

SIDE VIEW

FRONT VIEW

* THE CAPACITY IS BASED ON THE CANTILEVER LOAD EVENLY DISTRIBUTED OVER THE SPAN

A M E R I C A N
Custom Lifts

1-888-711-5438
www.aclifts.com

APPROVAL DRAWING
PLEASE CHECK, SIGN & RETURN

FIRM _____

BY _____

DATE _____

FILE: SP1500 ACLIFTS Single Post