

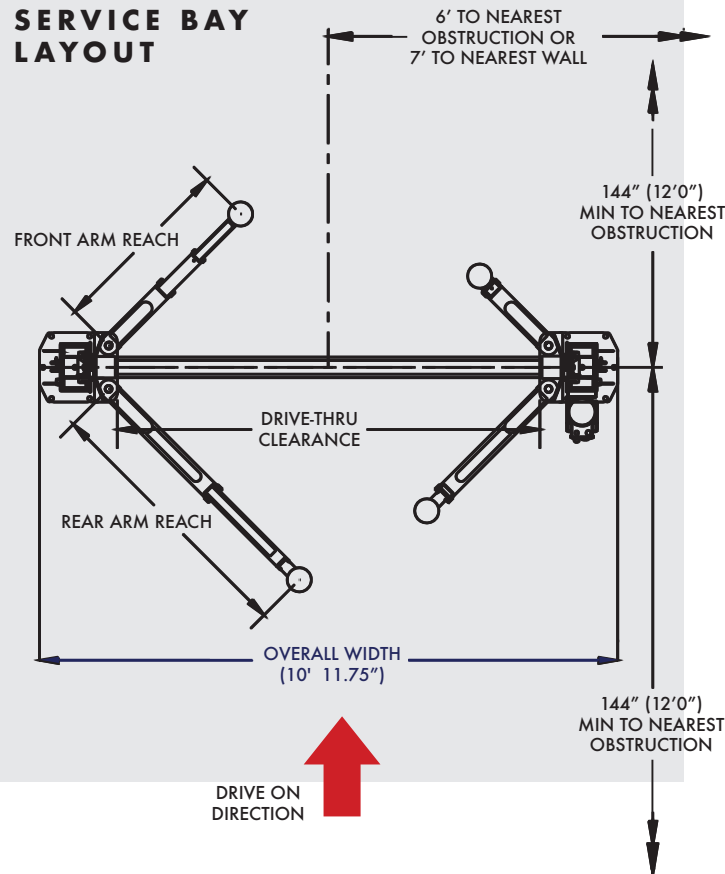


## LE10

### SITE SPECIFICATIONS

- **BAY HEIGHT:** 12' minimum
- **BAY WIDTH:** 12' recommended
- **BAY DEPTH:** 24' recommended
- **POWER REQ.:** 208-230v Single Phase\*, 30-amp breaker
- **MIN. CONCRETE SPEC:** 4" thick, reinforced, free from cracks/seams, rated at 3500+ psi, cured at least 28 days

### SERVICE BAY LAYOUT



Model Number	LE10
Lifting Capacity	10,000 lbs.
Lifting Configuration	Symmetric & Asymmetric
Arms	3-stage front/2-stage rear
Overall Height	143.875"
Rise Height	74.75"
Screw Pad Height	4.25" / 6.75"
Overall Width	131.75"
Inside Columns	110.25"
Drive-Thru Clearance	98.375"
Floor to Overhead Switch	137"
Front Arm Reach	21.75" / 39.25"
Rear Arm Reach	38.75" / 55.375"
Motor / Voltage	2HP, 208v-230v, 60Hz, 1Ph
Speed of Rise	43 s
Ceiling Height Required	12'
ALI/ETL Certified	√
2' Height Extension Available	√
3' Height Extension Available	-

Colors Available



\*3-phase upgrade is available for purchase

888-711-5438 | 619-286-543 | [www.aclifts.com](http://www.aclifts.com) | Fax: 619-330-2111  
 Email: [sales@aclifts.com](mailto:sales@aclifts.com) 720 N. Norma Street Suite D | Ridgecrest, CA 93555