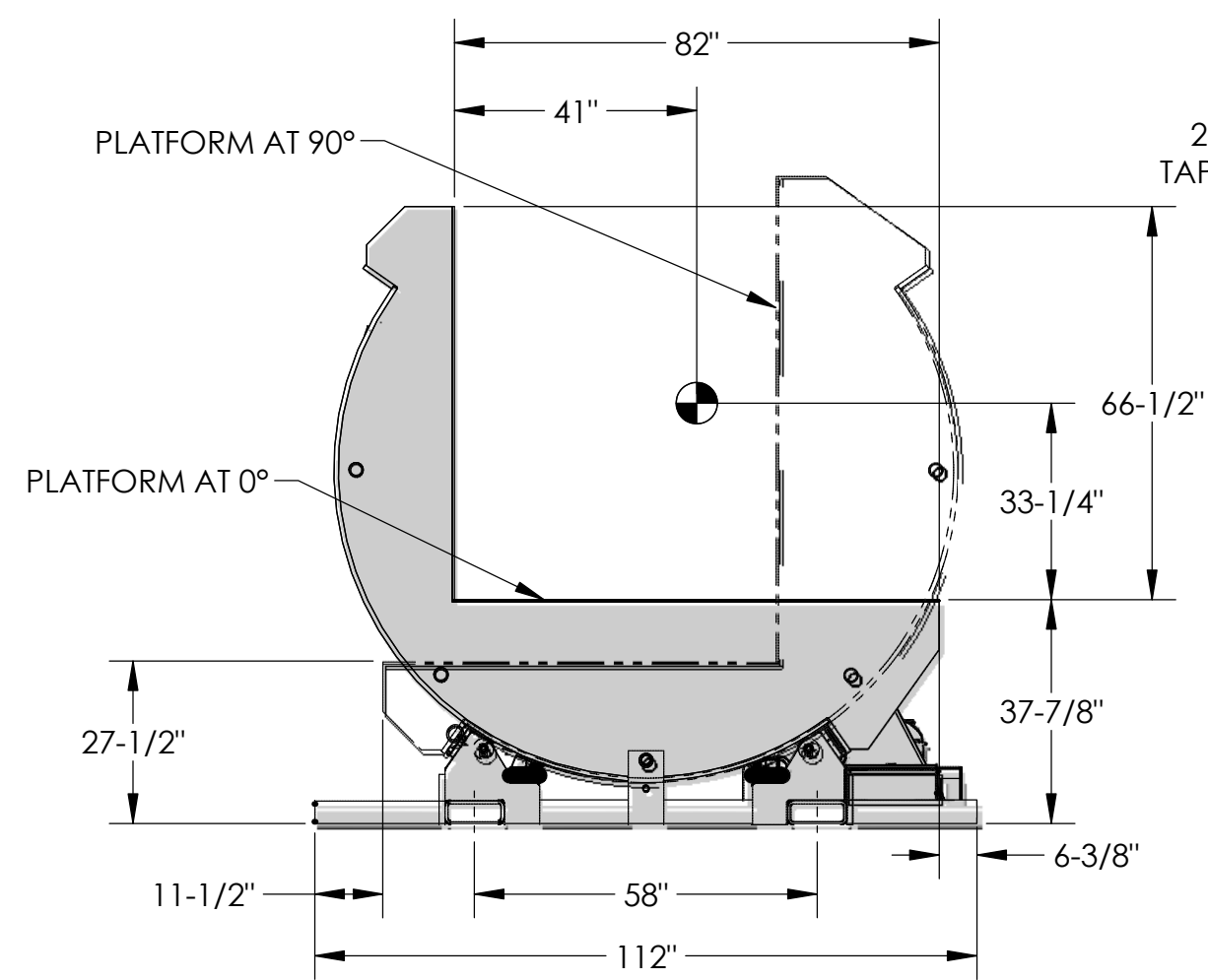
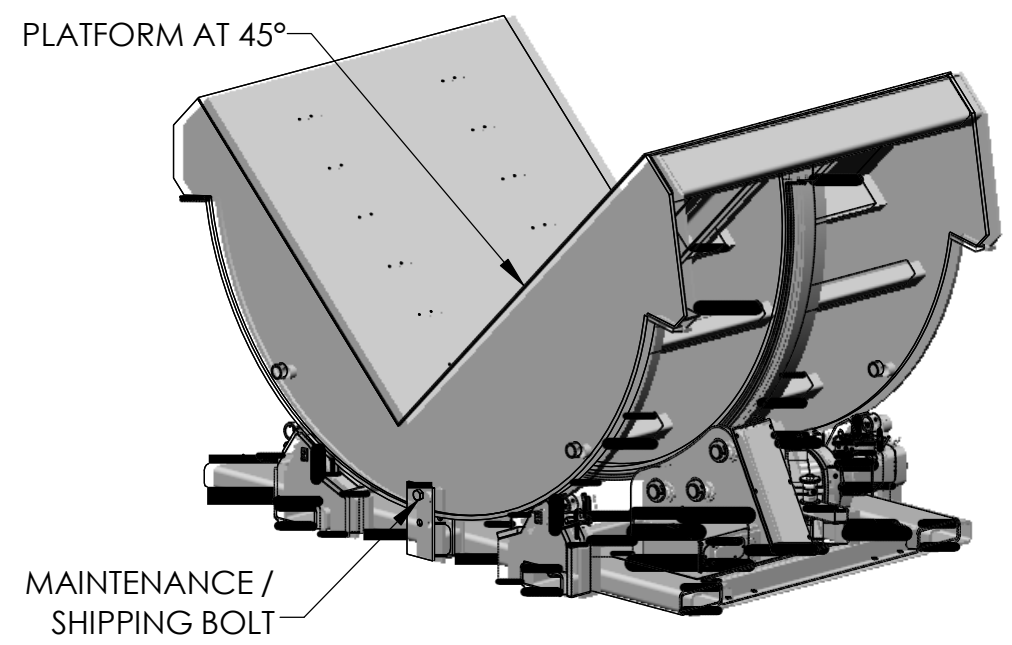
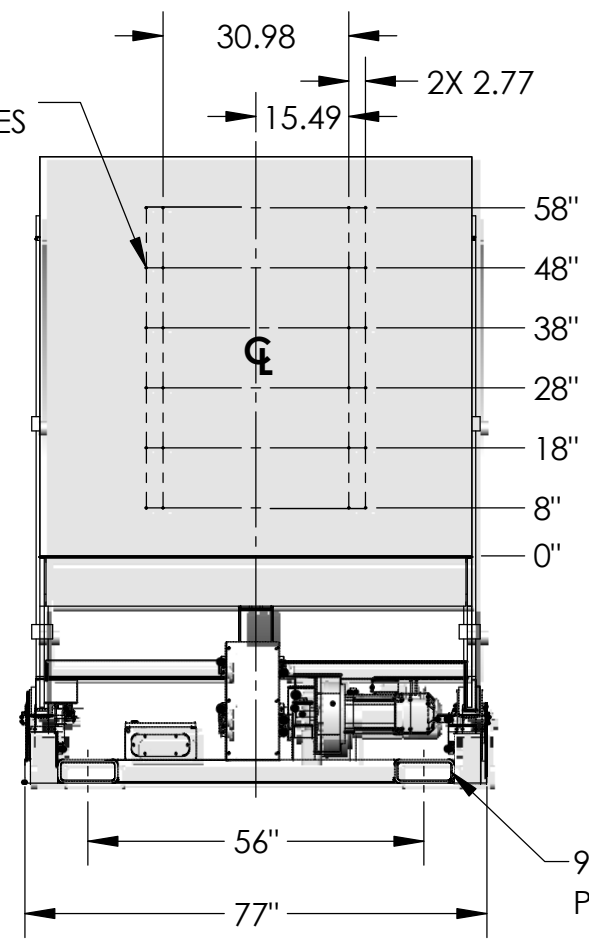


BASE IS PRE-DRILLED WITH
(8) Ø7/8" HOLES FOR
LAGGING LIFT TO FLOOR



24X 3/8-16
TAPPED HOLES



SAMPLE
DRAWING
ONLY
(NOT FOR USE)