

# OMER BIPARK DOUBLE STACKER LIFT

Dual Cylinder Direct Drive

Push button control includes Emergency Stop Button & Lockable Activation Key for Safety.

When multiple units are installed side-by-side, the activation keys can all be uniform, or each one can be different per requirements.



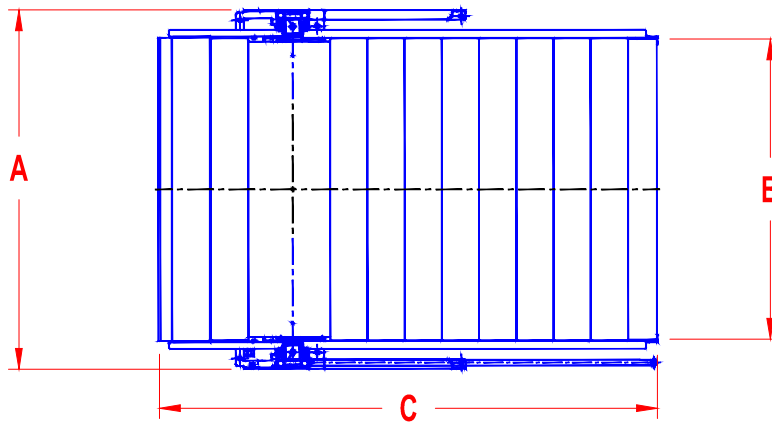
1-888-711-5438 [www.aclifts.com](http://www.aclifts.com)

## BiPark 26 Standard:

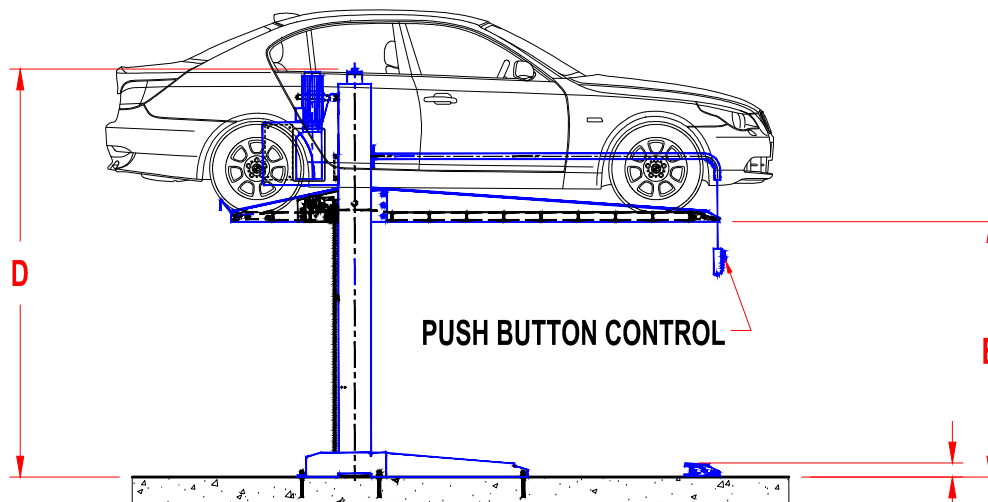
A	Overall width: 102.9"
B	Usable width inside columns: 86.6"
C	Overall Length: 142.3"
D	Column Height: 9' 8.4" (with nut)
E	Under track clearance: 70.8"
Lifting Capacity: 5,700 pounds	

## BiPark 26H SUV:

A	Overall width: 102.9"
B	Usable width inside columns: 86.6"
C	Overall Length: 142.3"
D	Column Height: 11' 1" (with nut)
E	Under track clearance: 80.7"
Lifting Capacity: 5,700 pounds	

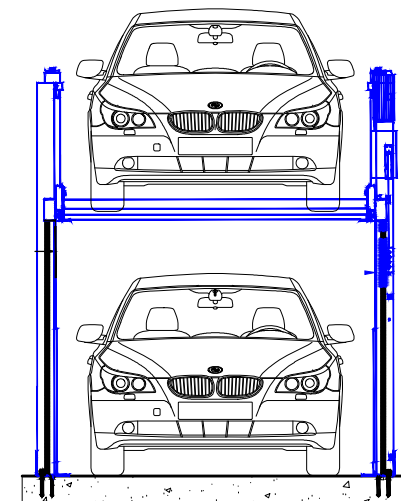


**TOP VIEW**



**FRONT VIEW**

**4 PLATFORM  
LOWERED HT.**



**SIDE VIEW**