

AMERICAN *Custom Lifts*

American Custom Lifts – 4-Post Parking Lifts

Home
Storage
Lift
Application



Model#: ACV8 Voyager
Made in America.

Added build quality with custom colors, features, and heights available.

Model#: ACV9X Voyager

Extended height version portable or fixed mounted 80" under runways.

Model#: ACV9W Voyager

Extended width version, portable or fixed mounted 110" between columns, 80" under runways



Model#: ACV7 Voyager

Portable or fixed mounted 63" under runways for compact cars and garages.



Model: ParkKing

Made in America.

Round Columns for a classic look that accents antique cars.

POWDER
COAT
FINISH

Custom

Powder Coat Finish
Colors for
ACV8/ParkKing
Made in America only



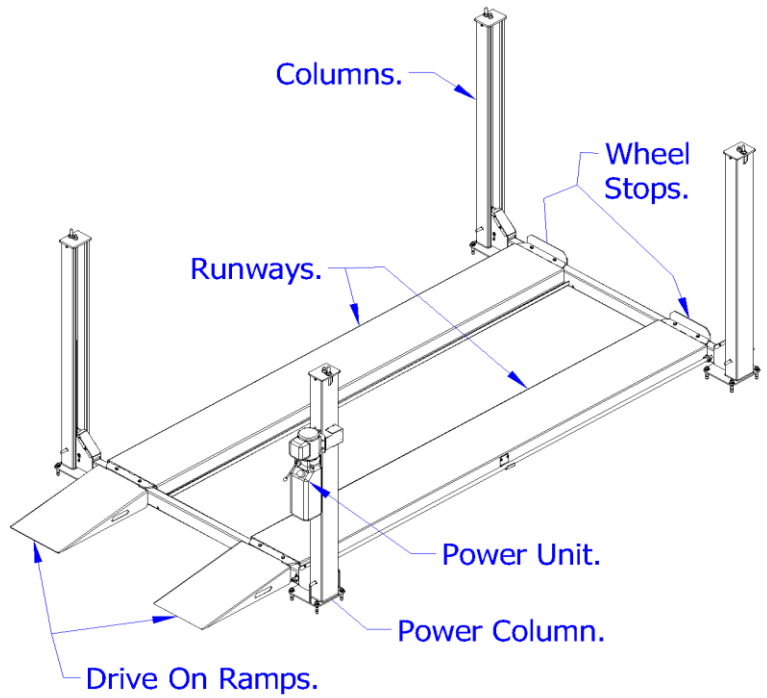
AMERICAN Custom Lifts

4-Post Home Storage Lifts

DIY/Light Duty Service Lift & Accessories

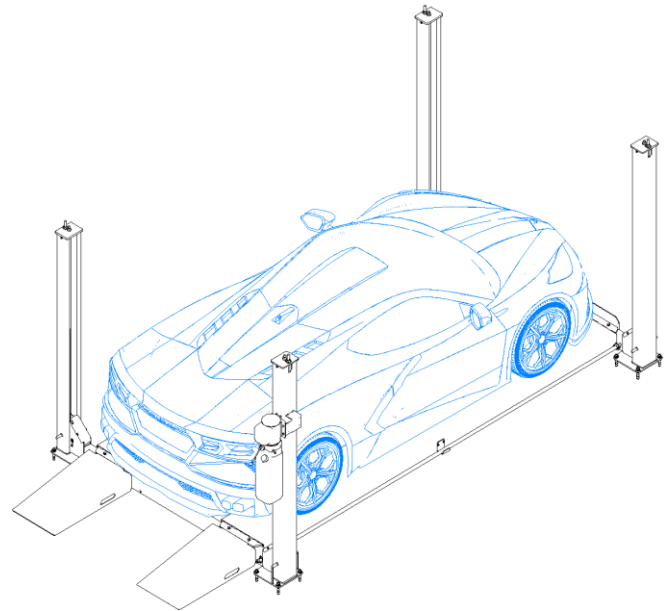
Model: ACV7, ACV8, Parkking, ACV9X & ACV9W

- Free standing or Bolt-down option.
- Formed Runways with Rail System, single hydraulic cylinder & commercial grade cable system.
- Formed Column with 12" base and internal locks.
- Adjustable internal lock ladder for lift leveling.
- "Slack Cable" system provides additional safety and security.



SPECIFICATIONS	ACV7	ACV8	PARKKING	ACV9X	ACV9W
Lifting Capacity	7,000 lbs. (3175 kg)	8,000 lbs. (3630 kg)	8,000 lbs. (3630 kg)	9,000 lbs. (4082 kg)	9,000 lbs. (4082 kg)
Rise Height	68 1/2" (1792 mm)	74" (1880 mm)	74" (1880 mm)	85 1/2" (2171 mm)	85 1/2" (2171 mm)
Overall Width	100 1/2" (2553 mm)	106 1/2" (2699 mm)	109 3/4" (2807 mm)	112 1/2" (2851 mm)	127 1/2" (3232 mm)
Overall Length	195 1/2" (4966 mm)	211" (5359 mm)		233 1/2" (5931 mm)	
Inside Columns	92 1/2" (2340 mm)	95" (2413 mm)		95" (2413 mm)	110" (2794 mm)
Column Height	79 1/2" (2185 mm)	83 3/4" (2127 mm)	83 3/4" (2127 mm)	96 1/2" (2451 mm)	96 1/2" (2451 mm)
Runway Width	20" (508 mm)				
Runway Height	5 3/4" (146 mm)	6" (152 mm)		7" (178 mm)	7" (178 mm)
Runway Length	165" (4191 mm)	179 1/2" (4553 mm)	179 1/4" (4553 mm)	203 1/2" (5169 mm)	203 1/2" (4191 mm)
Width Between Runways	38" (965 mm)				
Ramp Length	36" (914 mm)				
Under Runway Max Clearance	63" (1600 mm)	68" (1727 mm)	68" (1727 mm)	80" (2032 mm)	80" (2032 mm)
Motor	1 HP / .75 Kw				
Voltage	115 V / 220V				

*Made in America



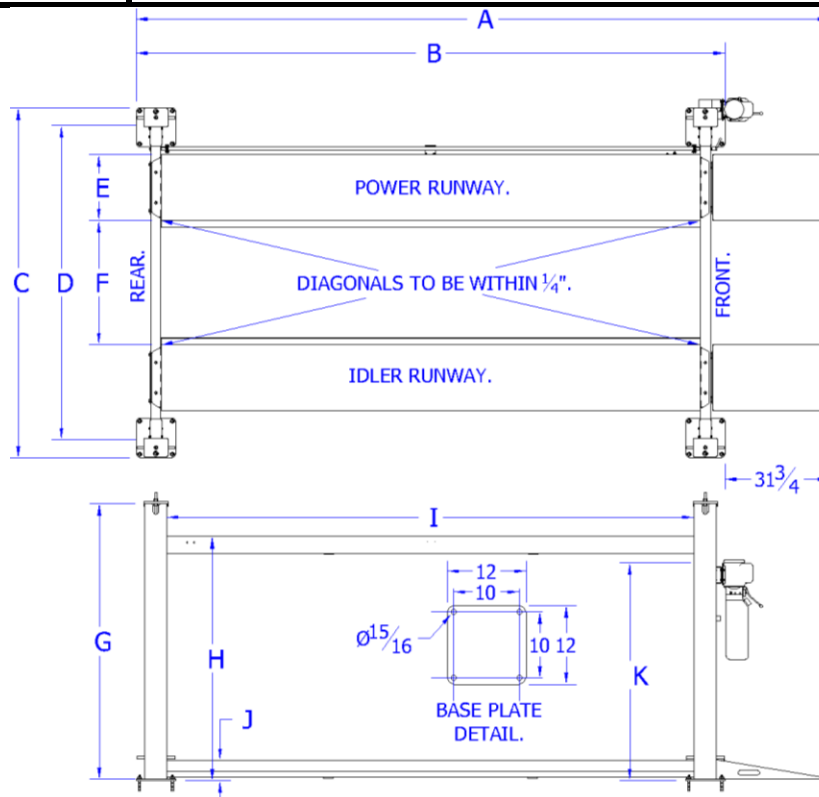
Made In America

ACV8 – AC Voyager 8

with C8 Corvette

AMERICAN Custom Lifts

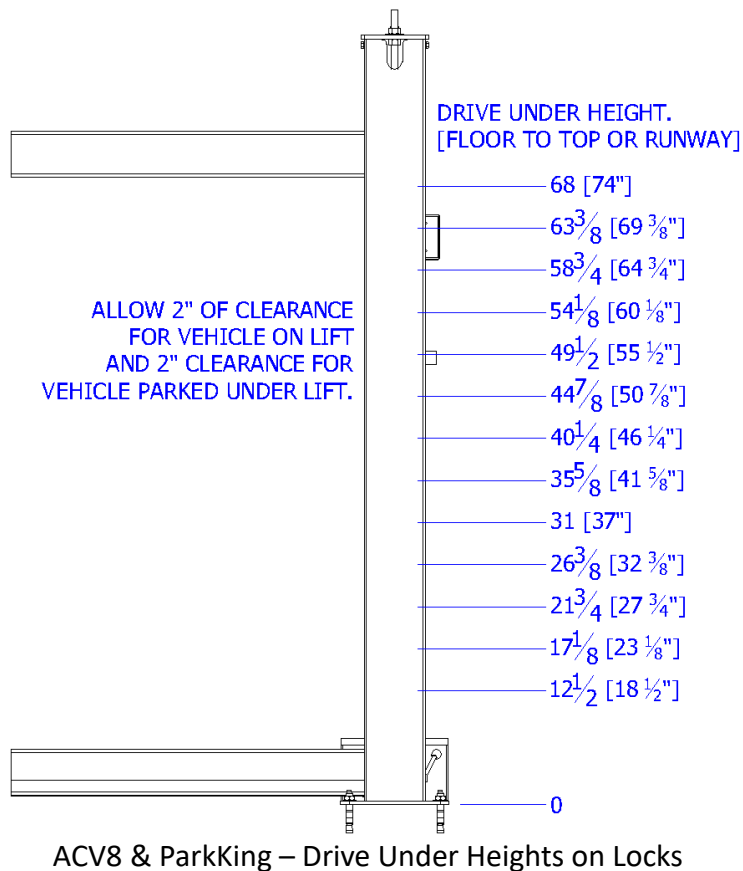
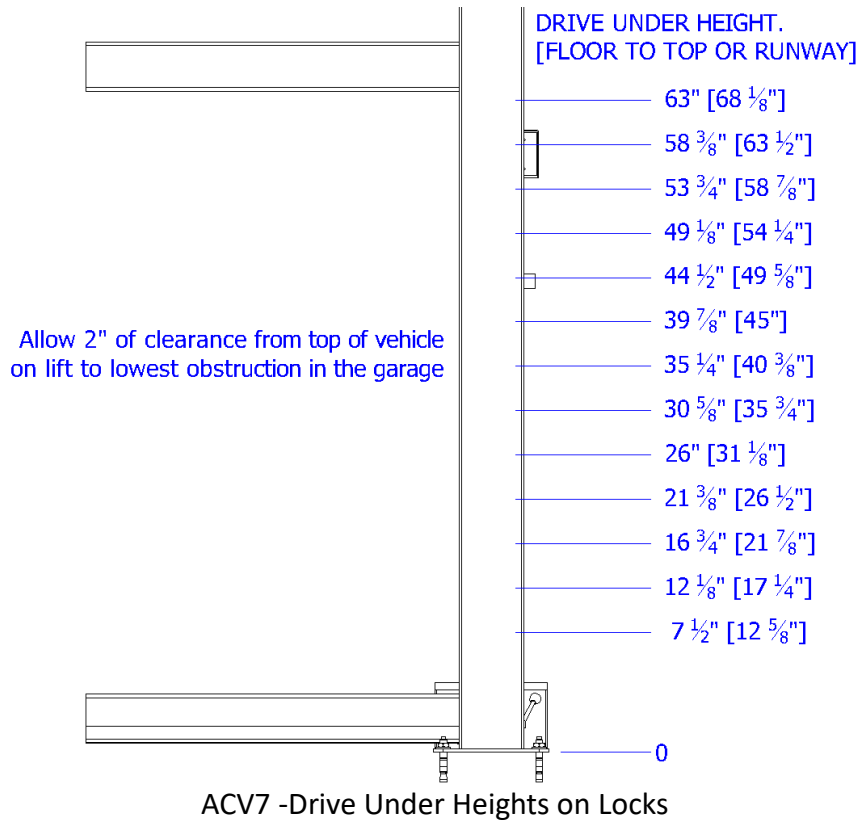
SPECIFICATIONS	ACV7	ACV8	ParkKing	ACV9X	ACV9W
A: Length Overall	195 ½" [16'-3 ½"]	211" [17'-7"]	211" [17'-7"]	233 ½" [19'-5 ½"]	
B: Length Base Plate to Base Plate	165"	179 ¼"	179 ¼"	203 ½"	203 ½"
C: Width Base Plate to Base Plate	100 ½"	106 ¼"	109 ¾"	112 ¼"	127 ¼"
D: Inside Columns	92 ¼"	95"	95"	95"	110"
E: Runway Width	20"				
F: Width Between Runways	38"				
G: Height of Columns	79 ½"	83 ¾"	83 ¾"	96 ½"	96 ½"
H: Rise Height	68 ½"	74"	74"	85 ½"	85 ½"
I: Width Between Column	147 ½" [12'-3 ½"]	160 ½" [13'-4 ½"]		184 ¾" [15'-4 ¾"]	
J: Runway Height	5 ¾"	6 ¼"		7"	
K: Under Runway Clearance	63"	68"		80"	
Lift Capacity	7,000 lbs	8,000 lbs		9,000 lbs	
Motor	1 HP / 2 HP				
Voltage (Single Phase STD.)	115 V / 208-230 V				
Speed of Rise (approximate)	120 Seconds / 90 Seconds				



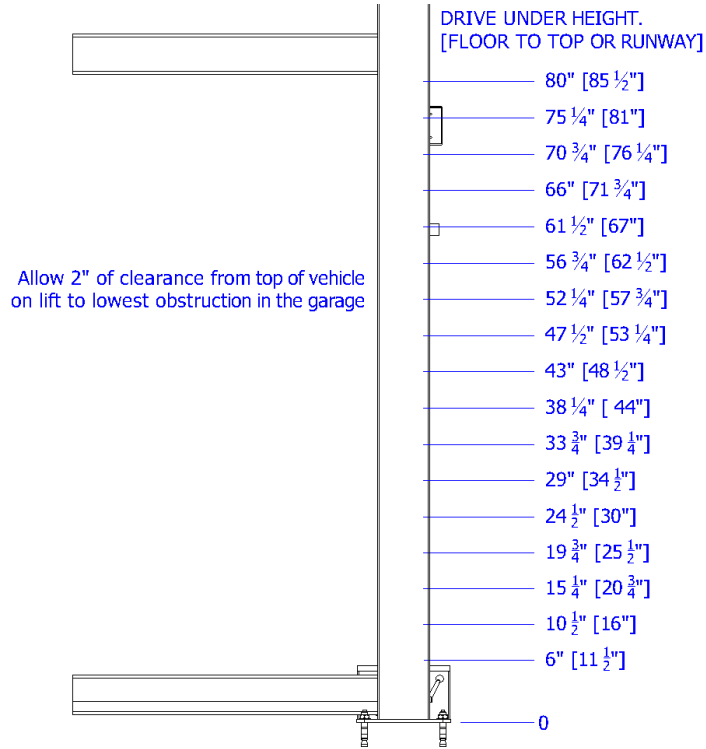
Power Unit Location: As Shown or Opposite Corner

General Specifications and Service Bay Layout

AMERICAN *Custom Lifts*



AMERICAN *Custom Lifts*



ACV9X & ACV9W - Drive Under Heights on Locks